



CATALOGO RICAMBI
SPARE PARTS CATALOG
CATALOGUE PIECES DE RECHANGE
ERZATZ TEILKATALOG
CATALOGO PIEZAS DE REPUESTOS



CH 508 SENIOR - CH 509 PRO SENIOR

ED. 05/2003 REV.00

INFORMAZIONI GENERALI

Nelle ordinazioni indicare:

- 1) Il modello e il numero di matricola del motociclo, stampigliato sul canotto di sterzo.
- 2) Il numero di codice dei particolari seguito dalla descrizione.

GENERAL INFORMATION

When ordering specify:

- 1) The motorcycle's model and serial number, stamped on the steering head.;
- 2) The part's code number followed by its description;

INFORMATIONS GENERALES

Les commandes doivent être passées en indiquant:

- 1) Le modèle et le numéro matricule de la moto, estampillés sur la tige du guidon.
- 2) Le numéro de code des pièces détachées suivi de leur description;

ALLGEMEINE HINWEISE

Bei Ersatzbestellung ist folgendes anzugeben:

- 1) Der Modell und die Seriennummer des Motorrads, die am Lenkrohr eingeprägt ist.
- 2) Die Bestellnummer der Ersatzteile mit der entsprechenden Beschreibung.

INFORMACIONES GENERALES

En los pedidos se debe indicar:

- 1) El modelo y el número de serie de la motocicleta, grabados en el tubo de dirección.
- 2) El número de código de la parte y a continuación la descripción;

Modello

Model
Medele
Model
Modelo

N° di serie Telaio

Chassis serial number
N° de série du châssis
Serien-Nummer des Rahmen
Numero chasis



Pos.

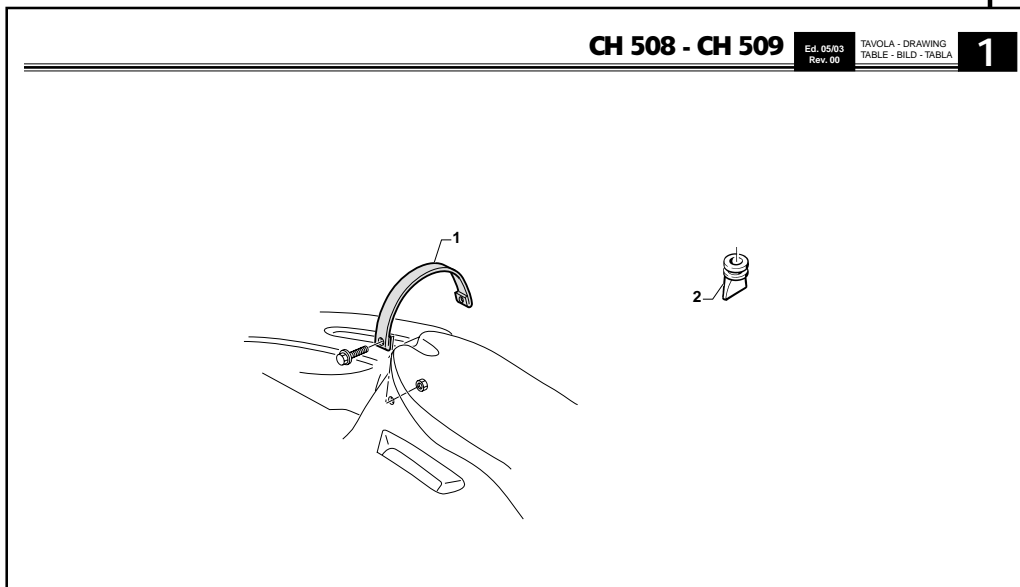
No
N.
Index
Pos.

N codice.

Code No.
Nr. code
Code Nr
N. cod.

Denominazione

Description
Designation
Bezeichnung
Denominación

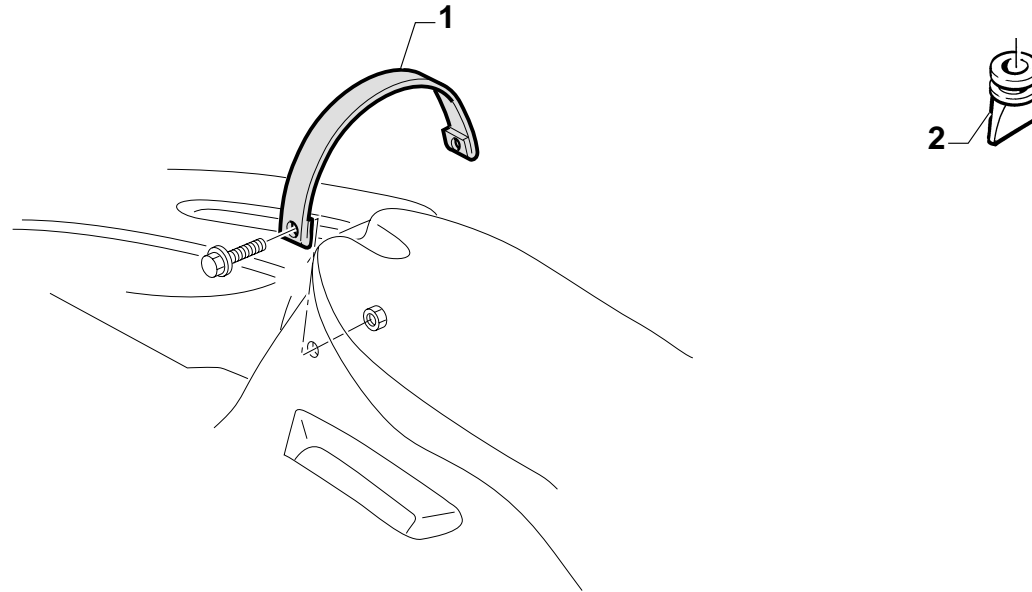


ACCESSORI OPZIONALI - OPTIONAL ACCESSORIES - ACCESSOIRES EN OPTION - OPTIONALE ZUBEHÖRE - ACCESORIOS EN OPCIÓN								CH 508 - CH 509	
Pos. No. N. Index. Pos.	N.codice Code No. Nr. code Code Nr. N. cod.	Denominazione	Description	Désignation	Beschreibung	Descripción	Note Notes Marka Notas	Q.tà Q.ty Q.te M.ge C.ad	
1	XH2481.00	Maniglia	Handle	Poignée	Handgriff	Manilla		1	
2	XH2480.00	Valvola	Valve	Soupape	Ventil	Válvula		1	

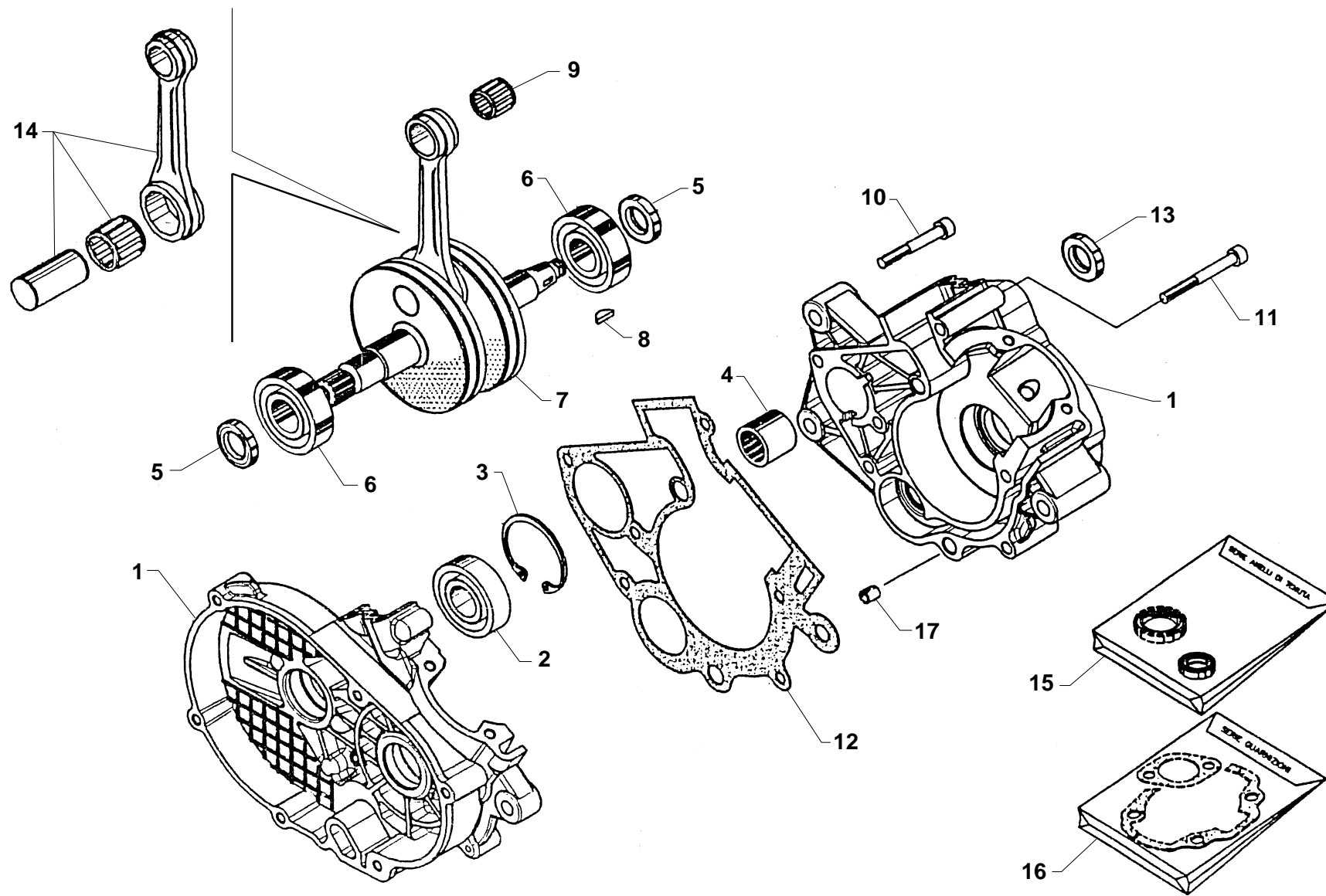
INDICE – INDEX – INDEX – INHALTSVERZEICHNIS - INDICE

Tavola
Drawing
Table
Bild
Tabla

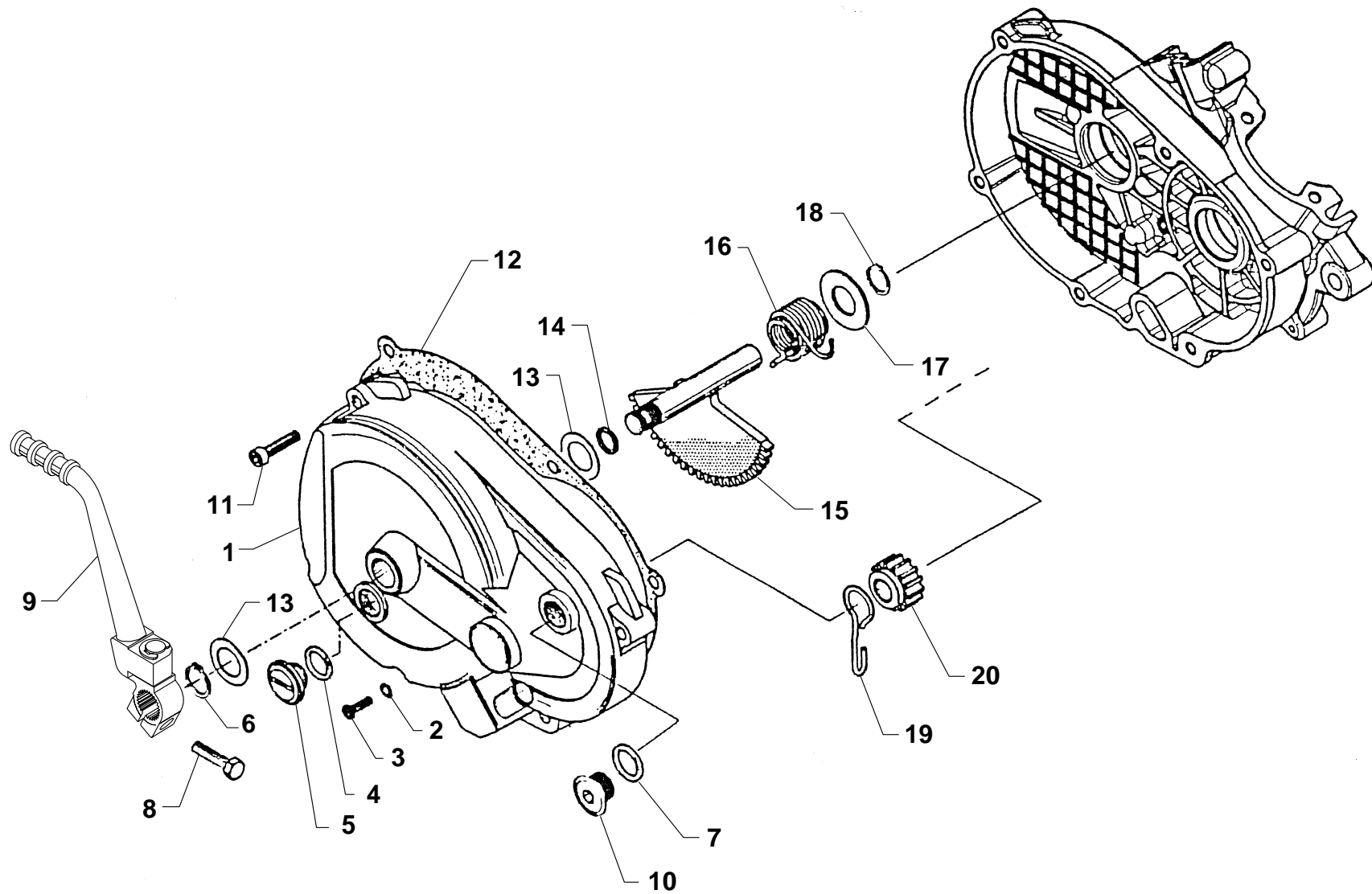
	Denominazione	Description	Designation	Bezeichnung	Denominacion	Pag
1	ACCESSORI OPZIONALI	OPTIONAL ACCESSORIES	ACCESSOIRES EN OPTION	OPTIONALE ZUBEHÖRE	ACCESORIOS EN OPCIÓN	5
2	MOTORE	ENGINE	MOTEUR	MOTORS	MOTOR	7
3	MOTORE	ENGINE	MOTEUR	MOTORS	MOTOR	9
4	MOTORE	ENGINE	MOTEUR	MOTORS	MOTOR	11
5	MOTORE	ENGINE	MOTEUR	MOTORS	MOTOR	13
6	MOTORE	ENGINE	MOTEUR	MOTORS	MOTOR	15
7	MOTORE	ENGINE	MOTEUR	MOTORS	MOTOR	17
8	MOTORE	ENGINE	MOTEUR	MOTORS	MOTOR	19
8A	MOTORE	ENGINE	MOTEUR	MOTORS	MOTOR	21
9	CARBURATORE	CARBURETOR	CARBURATEUR	VERGASER	CARBURADOR	23
10	FILTRO ARIA	AIR FILTER	FILTRE AIRE	AIRFILTER	FILTRO DE AIRE	25
11	TELAIO,PEDANE	FRAME,FOOT RESTS	CADRE, REPOSE PIEDS	RAHMEN,FUSSBRETT	BASTIDOR, REPOSAPIES	27
12	FORCELLONE E SOSP. POSTERIORE	SWING ARM AND REAR SUSPENSION	FOURCHE ET SUSPENSION ARRIÈRE	GABEL UND HINTERHAUFHÄNGUNG	HORQUILLA Y SUSPENSION TRASERA	29
13	SOSPENSIONE ANTERIORE	FRONT FORK ASSEMBLY	SUSPENSION AVANT	VORDETELESKOPGABEL	SUSPENSION DELANTERA	31
14	SCARICO	EXHAUST SYSTEM	TUYAU D'ÉCHAPPEMENT	AUSPUFFROHR	TUBO DE ESCAPE	33
15	MANUBRIO E COMANDI	HANDLEBAR AND CONTROLS	GUIDON ET COMMANDES	LENKER UND STEUERORGANE	MANILLAR Y MANDOS	35
16	CARENATURE E PARAFANGHI	FAIRING AND MUDGUARD	CARENATURE ET GARDE BOUE	HINTERSCHALE UND KOTFLUEGEL	CARROCERIA Y GUARDA-BARROS	37
17	RUOTA ANTERIORE, RUOTA POSTERIORE ..	FRONT WHEEL, REAR WHELL	ROUE AV., ROUE ARRIÈRE	VORTERRAD, RUEDA DELANTERA	HINTERRAD, RUEDA TRASERA	39
18	RAFFREDDAMENTO	WATER COOLING	REFROIDISSEMENT	WASSERKÜHLUNG	ENFRIAMIENTO	41



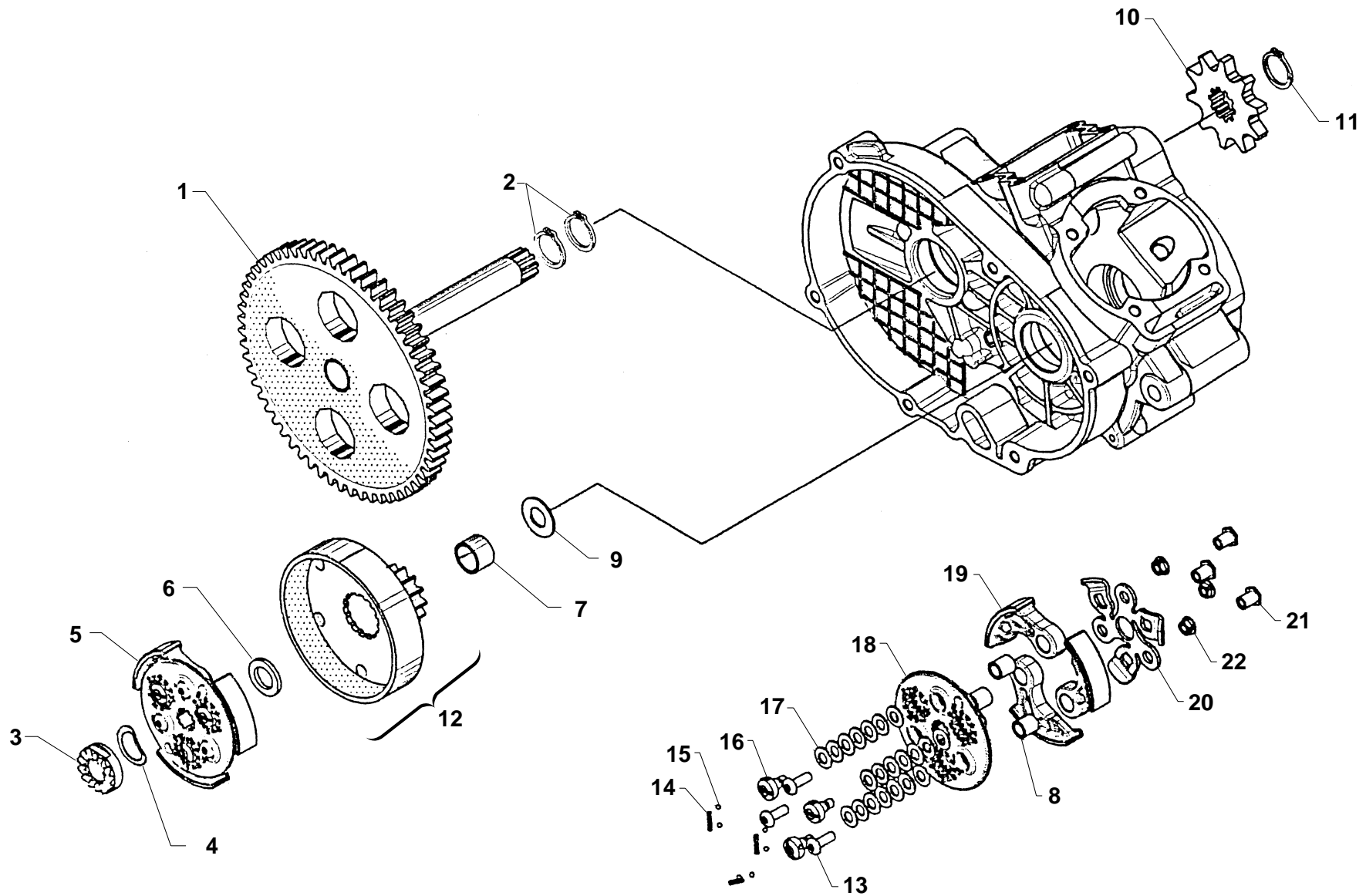
Pos. No. N. Index. Pos.	N.codice Code No. Nr. code Code Nr. N. cod.	Denominazione	Description	Désignation	Beschreibung	Descripción	Note Notes Notes Marke Notas	Q.tà Q.ty Q.te M.ge C.ad
1	XH248100	Maniglia	Handle	Poignée	Handgriff	Manilla		1
2	XH248000	Valvola	Valve	Soupape	Ventil	Válvula		1



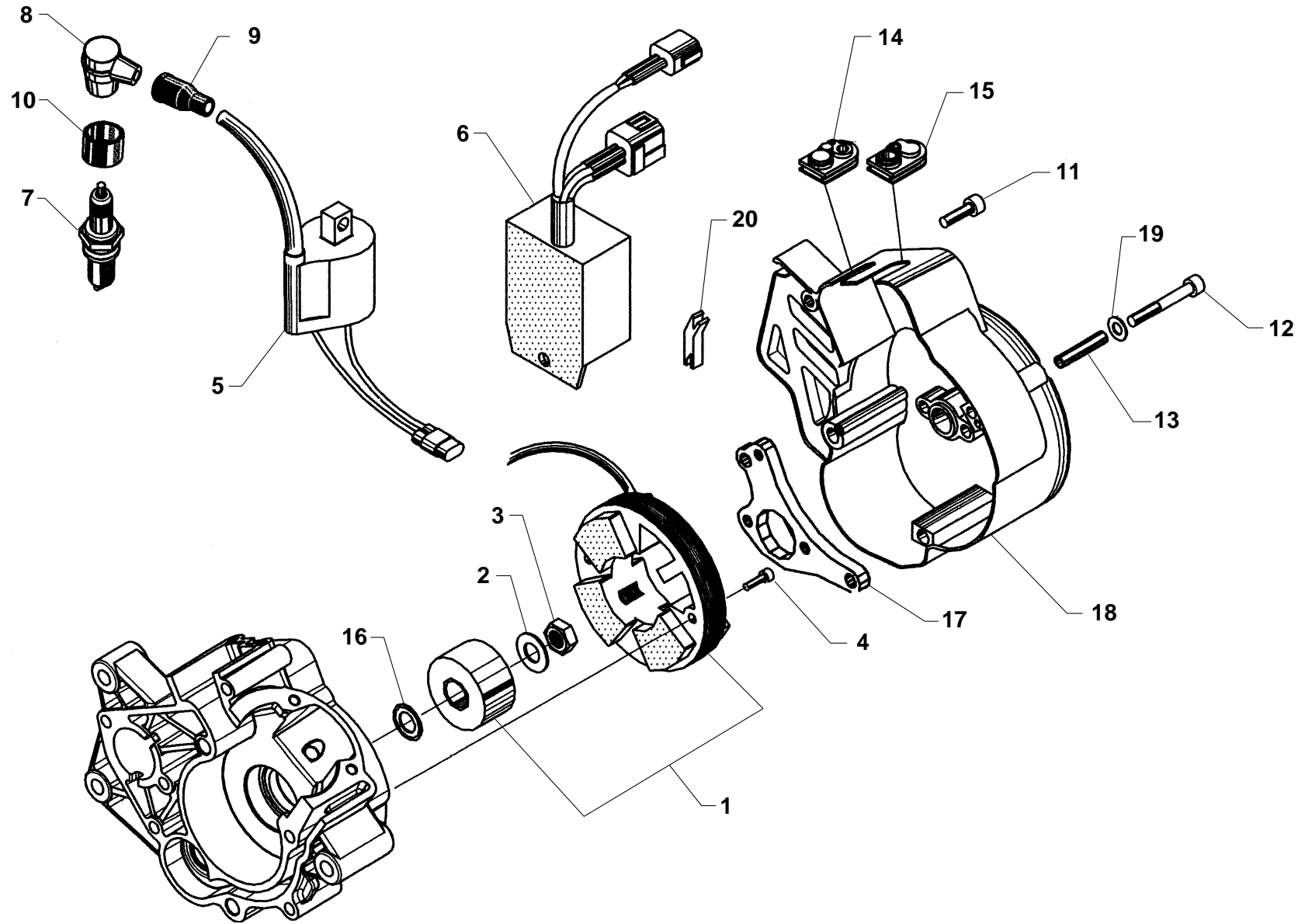
Pos. No. N. Index. Pos.	N.codice Code No. Nr. code Code Nr. N. cod.	Denominazione	Description	Désignation	Beschreibung	Descripción	Note Notes Notes Marke Notas	Q.tà Q.ty Q.te M.ge C.ad
1	EM1206.90	Carter	Complete carter	Carter	Gehaeuse	Càrter	508	1
1	EM1206.91	Carter	Complete carter	Carter	Gehaeuse	Càrter	509	1
2	EM1260.67	Cuscinetto	Bearing	Roulement	Lager	Cojinete		1
3	EM1050.70	Anello elastico	Ring	Bague	Ring	Aros de embolo		1
4	EM1085.12	Astuccio	Needle bearing	Etui	Buechse	Estuche		1
5	EM1060.33	Anello tenuta	Seal	Anneu	Dichtring	Junta		2
6	EM1260.21	Cuscinetto	Bearing	Roulement	Lager	Cojinete		2
7	EM1001.89	Albero motore	Shaft	Arbre	Welle	Ciguenal		1
8	EM1270.25	Chiavetta	Key	Clavette	Keil	Clave		1
9	EM1610.24	Gabbia	Cage	Cage	Lagerkcafig	Jaula		1
10	EM2919.93	Vite	Screw	Vis	Schraube	Tornillo		1
11	EM2919.91	Vite	Screw	Vis	Schraube	Tornillo		7
12	EM1642.97	Guarnizione	Gasket	Garnitue	Dichtung	Junta		1
13	EM1060.34	Anello	Ring	Bague	Ring	Anillo		1
14	EM1100.41	Biella completa	Con.rod	Bielle	Pleuel	Biela		1
15	EM2605.36	Serie anelli	Rings set	Serie bagues	Ringsatz	Serie de aros		1
16	EM2606.57	Serie guarniz.	Gasket set	Jeux de garnitu	Satz aus belag	Juego de forro		1
17	EM2681.27	Spina	Pin	Goupille	Stift	Clavija		2



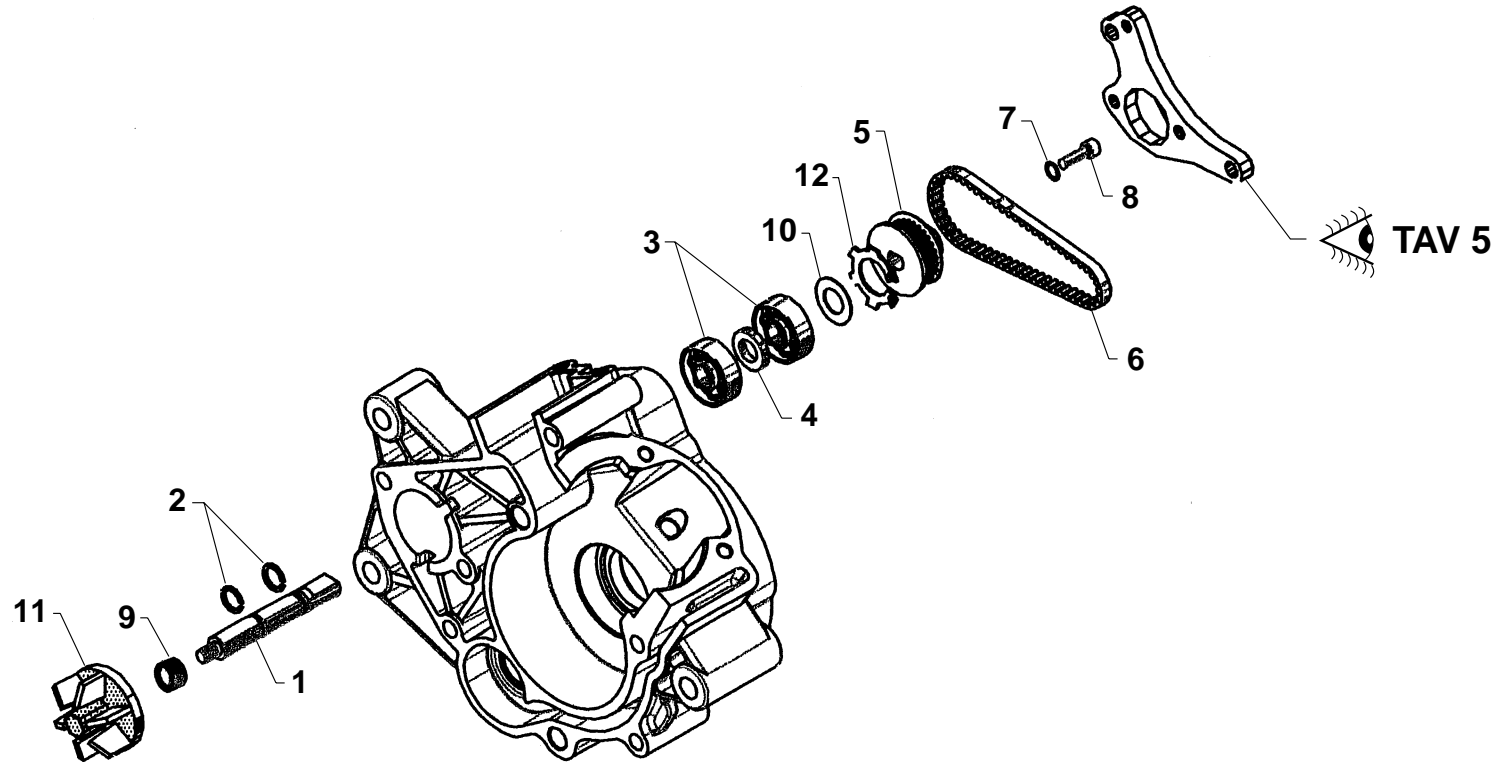
Pos. No. N. Index. Pos.	N.codice Code No. Nr. code Code Nr. N. cod.	Denominazione	Description	Désignation	Beschreibung	Descripción	Note Notes Notes Marke Notas	Q.tà Q.ty Q.te M.ge C.ad
1	EM1208.25	Coperchio	Cover	Couvercle	Deckel	Tapa	509	1
1	EM1242.76	Coperchio	Cover	Couvercle	Deckel	Tapa	508	1
2	EM1640.69	Guarnizione	Gasket	Garnitue	Dichtung	Junta		1
3	EM2961.44	Vite	Screw	Vis	Schraube	Tornillo		1
4	EM1640.26	Guarnizione	Gasket	Garnitue	Dichtung	Junta		1
5	EM2730.07	Tappo	Plug	Bouchon	Verschluss	Tapón		1
6	EM1050.53	Anello	Ring	Bague	Ring	Anillo		1
7	EM1640.09	Guarnizione	Gasket	Garnitue	Dichtung	Junta		1
8	EM2919.85	Vite	Screw	Vis	Schraube	Tornillo		1
9	EM1900.52	Leva	Lever	Levier	Hebel	Palanca		1
10	EM2730.46	Tappo	Plug	Bouchon	Verschluss	Tapón		1
11	EM2919.87	Vite	Screw	Vis	Schraube	Tornillo		6
12	EM1642.96	Guarnizione	Gasket	Garnitue	Dichtung	Junta		1
13	EM2540.0508	Rondella	Washer	Rondelle	Scheibe	Arandela		2
14	EM1070.24	Anello	Ring	Bague	Ring	Anillo		1
15	EM1001.88	Albero	Shaft	Arbre	Welle	Eje		1
16	EM2011.81	Molla	Spring	Ressort	Feder	Resorte		1
17	EM2540.10	Rondella	Washer	Rondelle	Scheibe	Arandela		1
18	EM1050.01	Anello	Ring	Bague	Ring	Anillo		1
19	EM2011.97	Molla	Spring	Ressort	Feder	Resorte		1
20	EM1813.00	Ingranaggio	Gear	Engrenage	Zahnrad	Engranaje		1



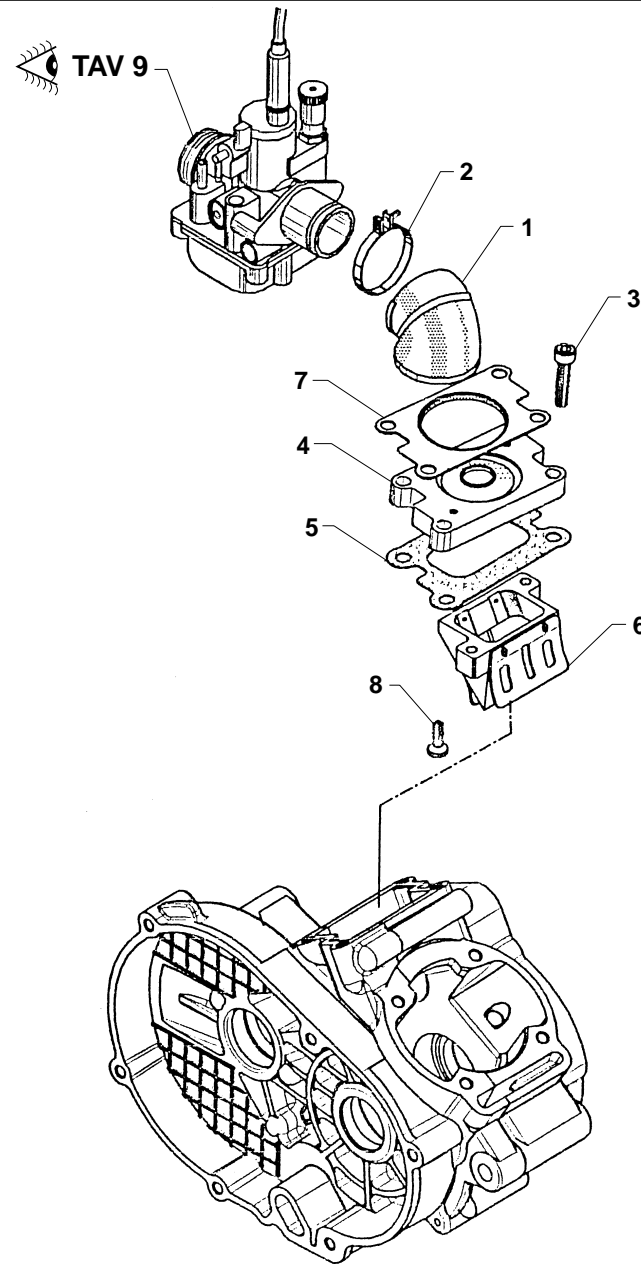
Pos. No. N. Index. Pos.	N.codice Code No. Nr. code Code Nr. N. cod.	Denominazione	Description	Désignation	Beschreibung	Descripción	Note Notes Notes Marke Notas	Q.tà Q.ty Q.te M.ge C.ad
1	EM1207.22	Corona	Ring gear	Couronne	Kranz	Corona		1
2	EM1050.35	Anello	Ring	Bague	Ring	Anillo		2
3	EM1310.35	Dado	Nut	Ecrou	Mutter	Tuerca		1
4	EM2011.95	Molla	Spring	Ressort	Feder	Resorte		1
5	EM1500.95	Frizione	Clutch	Embrayage	Kupplung	Embrague		1
6	EM1361.30	Distanziale	Spacer	Entretoise	Distanzstück	Separador		1
7	EM1150.97	Boccola	Bush	Douille	Buchse	Casquillo		1
8	EM1151.02	Boccola	Bush	Douille	Buchse	Casquillo		3
9	EM2540.0506	Rondella	Washer	Rondelle	Scheibe	Arandela		1
10	EM2326.08	Pignone	Pinion	Pignon	Ritzel	Piñón		1
11	EM1050.35	Anello	Ring	Bague	Ring	Anillo		1
12	EM1800.31	Ingranaggio	Gear	Engrenage	Zahnrad	Engranaje		1
13	EM2961.26	Vite	Screw	Vis	Schraube	Tornillo		3
14	EM2011.86	Molla	Spring	Ressort	Feder	Resorte		3
15	EM2682.41	Sfera	Ball	Bille	Kugel	Esfera		3
16	EM2961.27	Vite	Screw	Vis	Schraube	Tornillo		3
17	EM2011.96	Molla	Spring	Ressort	Feder	Resorte		21
18	EM2371.42	Piattello	Plate	Plateau	Teller	Placa		1
19	EM2000.92	Massa	Masselotte	Fliehgewicht	Weight	Contrapeso		3
20	EM2011.84	Molla	Spring	Ressort	Feder	Resorte		1
21	EM2140.13	Nottolino	Pawl	Cliquet	Klinke	Pestillo		3
22	EM2771.58	Tenditore	Turnbuckle	Tendeur	Spanner	Tensor		3



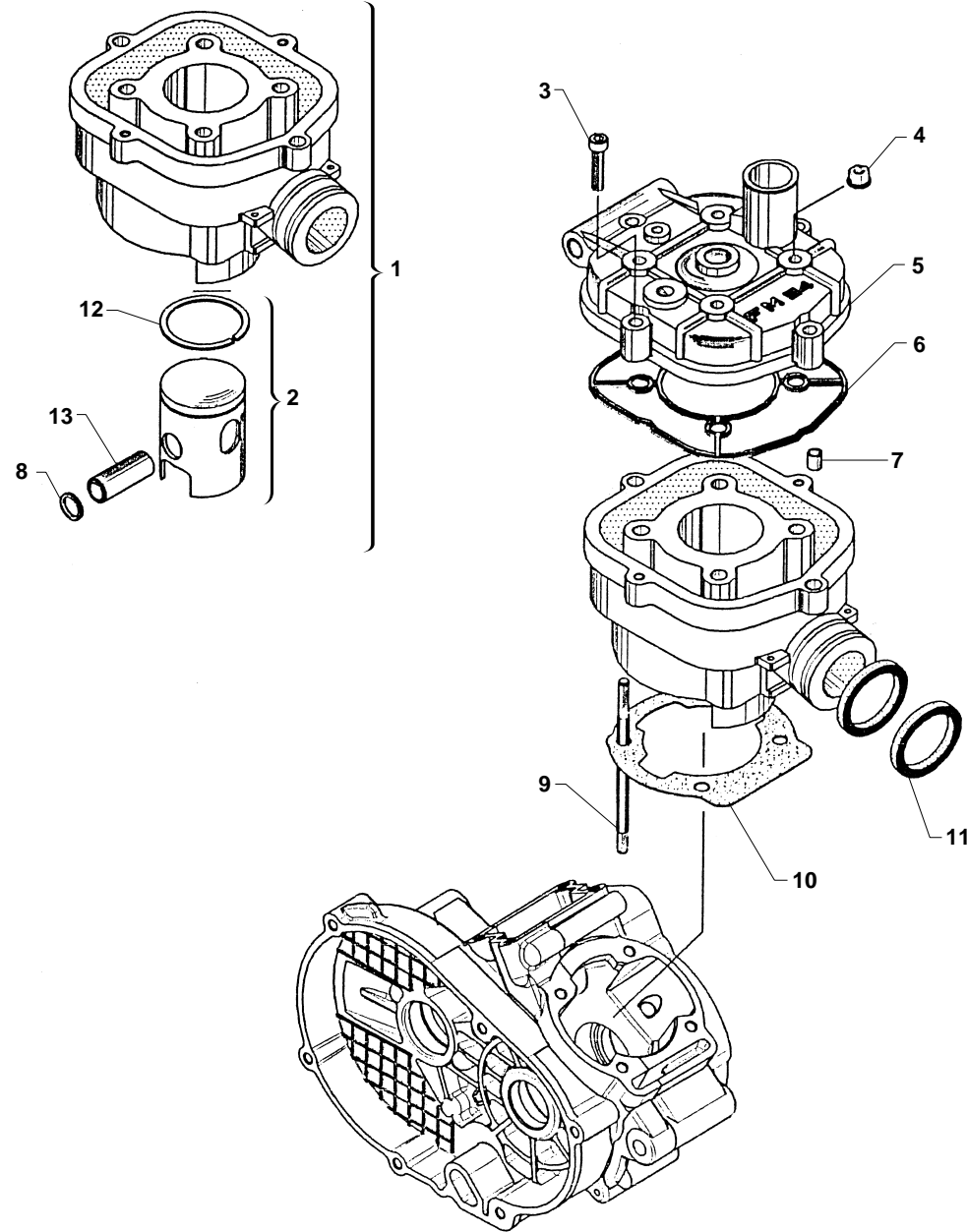
Pos. No. N. Index. Pos.	N.codice Code No. Nr. code Code Nr. N. cod.	Denominazione	Description	Désignation	Beschreibung	Descripción	Note Notes Notes Marke Notas	Q.tà Q.ty Q.te M.ge C.ad
1	EM2901.59	Volano	Flywheel	Volant	Schwungmasse	Volante		1
2	EM2540.23	Rondella	Washer	Rondelle	Scheibe	Arandela		1
3	EM1310.27	Dado	Nut	Ecrou	Mutter	Tuerca		1
4	EM2919.33	Vite	Screw	Vis	Schraube	Tornillo		2
5	EM1400.04	Bobina	Coil	Bobine	Zündspule	Bobina		1
6	EM1410.72	Centralina	Hydraul.attach.	Dispos.hydraul.	Hydr.einheit	Controller		1
7	EM1273.48	Candela	Spark plug	Bougie	Zündkerze	Bujía		1
8	EM2371.46	Pipetta candela	Pipette	Pipette	Pipette	Pipa		1
9	EM1630.51	Gommino	Rubber pad	Pièce caoutchouc	Gummistück	Junta de goma		1
10	EM1630.58	Gommino	Rubber pad	Pièce caoutchouc	Gummistück	Junta de goma		1
11	EM2919.59	Vite	Screw	Vis	Schraube	Tornillo		1
12	EM2919.66	Vite	Screw	Vis	Schraube	Tornillo		3
13	EM1670.56	Grano	Dowel	Goujon	Stift	Clavija		2
14	EM1630.75	Gommino	Rubber pad	Pièce caoutchouc	Gummistück	Junta de goma		1
15	EM1630.79	Gommino	Rubber pad	Pièce caoutchouc	Gummistück	Junta de goma		1
16	EM2542.30	Rondella	Washer	Rondelle	Scheibe	Arandela		1
17	EM2682.57	Staffa	Bracket	Etrier	Buegel	Brida		1
18	EM1242.60	Cop. Volano Motore	Fly Wheel Cover	Deckel	Couvercle	Tapa		1
19	EM2542.40	Rondella	Washer	Rondelle	Scheibe	Arandela		4
20	EM1630.81	Gommino	Rubber pad	Pièce caoutchouc	Gummistück	Junta de goma		1



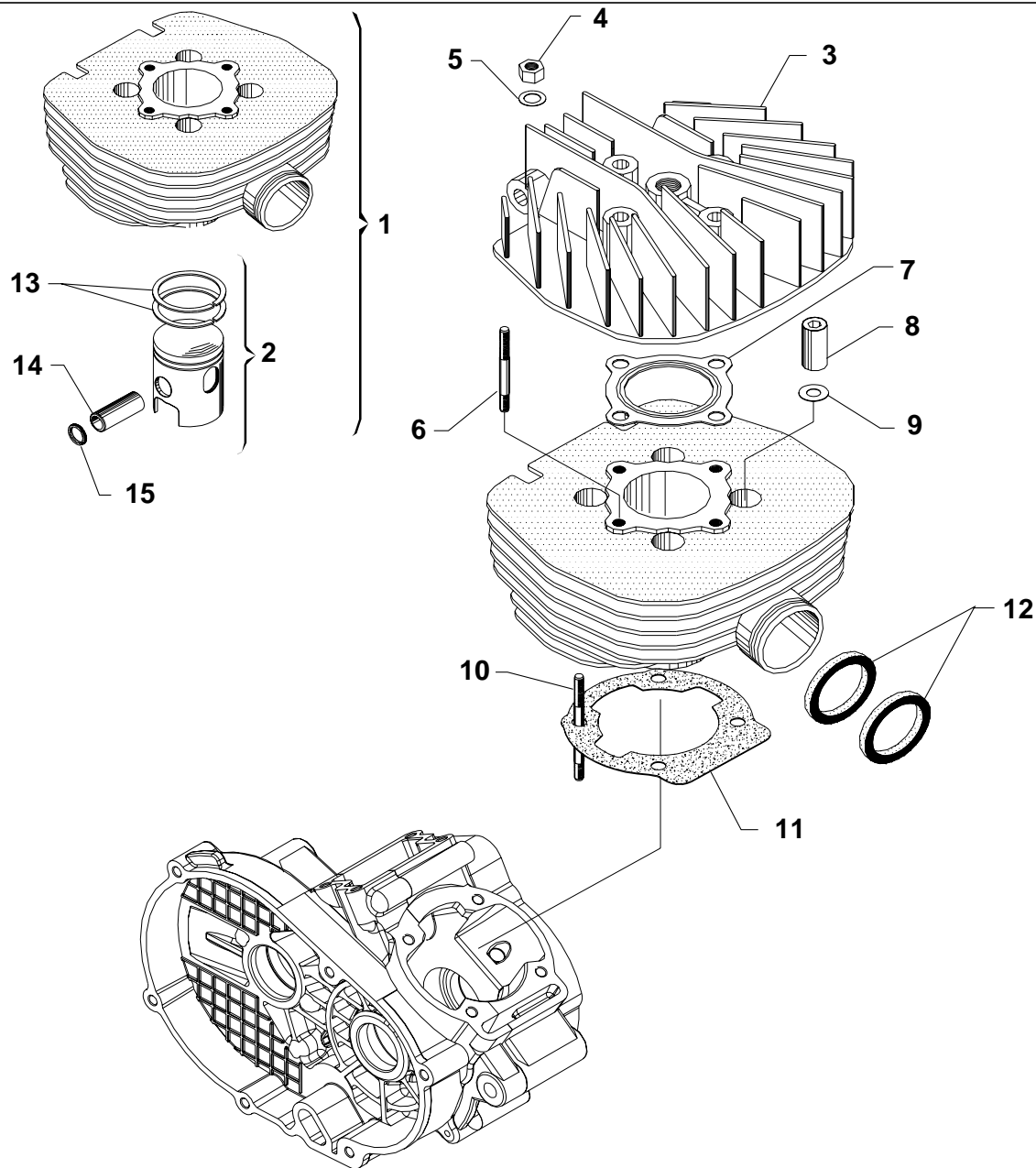
Pos. No. N. Index. Pos.	N.codice Code No. Nr. code Code Nr. N. cod.	Denominazione	Description	Désignation	Beschreibung	Descripción	Note Notes Notes Marke Notas	Q.tà Q.ty Q.te M.ge C.ad
1	EM1012.37	Albero	Shaft	Arbre	Welle	Eje		1
2	EM1050.61	Anello	Ring	Bague	Ring	Anillo		2
3	EM1260.38	Cuscinetto	Bearing	Roulement	Lager	Cojinete		2
4	EM1361.25	Distanziale	Spacer	Entretoise	Distanzstück	Separador		1
5	EM2300.91	Puleggia	Pulley	Poulie	Rolle	Polea		1
6	EM1273.35	Cinghia	Belt	Courroie	Riemen	Correa		1
7	EM2540.86	Rondella	Washer	Rondelle	Scheibe	Arandela		1
8	EM2919.31	Vite	Screw	Vis	Schraube	Tornillo		1
9	EM1060.79	Anello	Ring	Bague	Ring	Anillo		1
10	EM2542.27	Rondella	Washer	Rondelle	Scheibe	Arandela		1
11	EM1670.31	Girante	Rotor	Couronne	Lauftrad	Rotor		1
12	EM1370.06	Dischetto	Disk	Disque	Scheibe	Disco		1



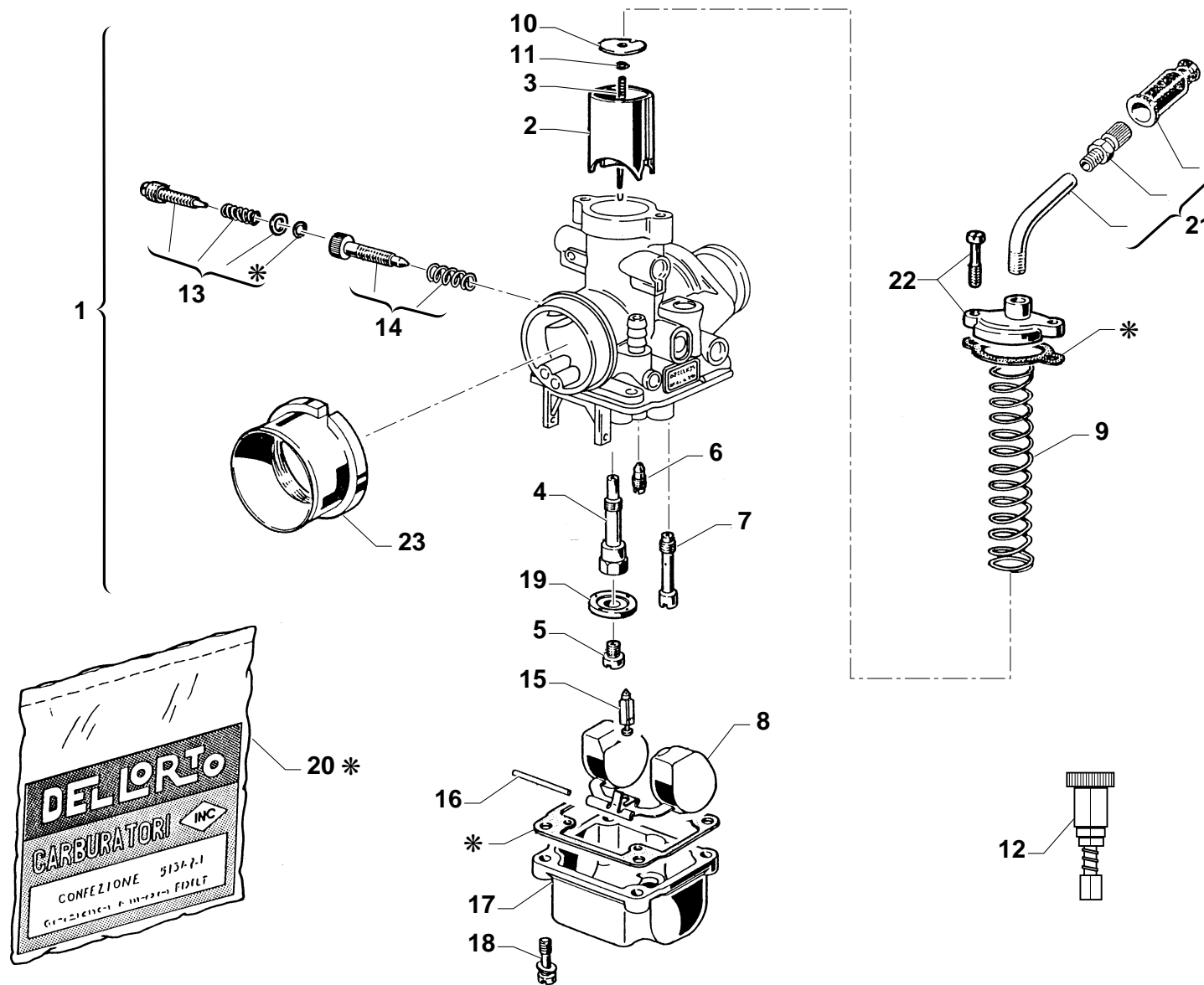
Pos. No. N. Index. Pos.	N.codice Code No. Nr. code Code Nr. N. cod.	Denominazione	Description	Désignation	Beschreibung	Descripción	Note Notes Notes Marke Notas	Q.tà Q.ty Q.te M.ge C.ad
1	EM2060.89	Manicotto	Sleeve	Manchon	Muffe	Manguito		1
2	EM1510.15	Fascetta	Clamp	Collier	Schelle	Banda		1
3	EM2919.86	Vite	Screw	Vis	Schraube	Tornillo		4
4	EM1180.27	Base raccordo carb.	Base	Socle	Lager	Base		1
5	EM1642.98	Guarnizione	Gasket	Garnitue	Dichtung	Junta		1
6	EM2905.41	Valvola	Valve	Soupape	Ventil	Válvula		1
7	EM2371.40	Piastrina	Plate	Plaquette	Plättchen	Placa		1
8	EM2960.51	Vite	Screw	Vis	Schraube	Tornillo		2



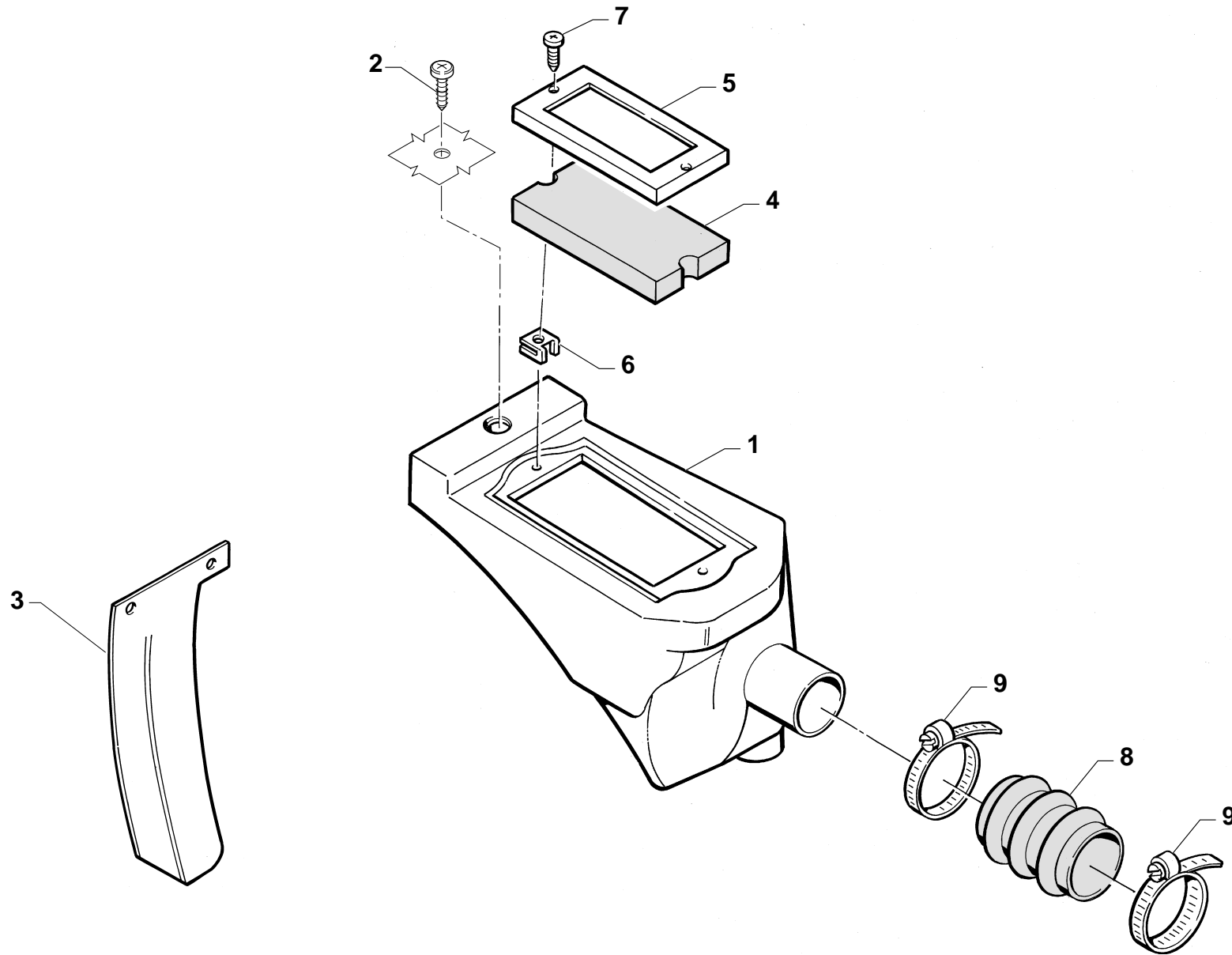
Pos. No. N. Index. Pos.	N.codice Code No. Nr. code Code Nr. N. cod.	Denominazione	Description	Désignation	Beschreibung	Descripción	Note Notes Notes Marke Notas	Q.tà Q.ty Q.te M.ge C.ad
1	EM7739.68	Cilindro + pistone	Cylinder + Piston	Cylindre + Piston	Zylinder + Kolben	Cilindro + Embolo		1
2	EM2301.83	Pistone	Piston	Piston	Kolbe	Pistón		1
3	EM2919.87	Vite	Screw	Vis	Schraube	Tornillo		4
4	EM1310.30	Dado	Nut	Ecrou	Mutter	Tuerca		4
5	EM2750.94	Testa	Cylinder head	Tetedu cylindre	Zylinderkopf	Cabeza		1
6	EM1070.18	Anello	Ring	Bague	Ring	Anillo		1
7	EM1670.08	Grano	Dowel	Goujon	Stift	Clavija		2
8	EM1040.01	Anello ferma spinotto	Ring	Bague	Ring	Anillo		2
9	EM2350.55	Prigioniero	Stud bolt	Prisonnier	Stiftschraube	Prisionero		4
10	EM1642.95	Guarnizione	Gasket	Garnitue	Dichtung	Junta		1
11	EM1070.65	Anello	Ring	Bague	Ring	Anillo		2
12	EM2610.56	Segmento	Circlip	Segment	Kolbenring	Segmento		1
13	EM2681.07	Spinotto	Gudgeon	Axe	Bolzen	Perno		1



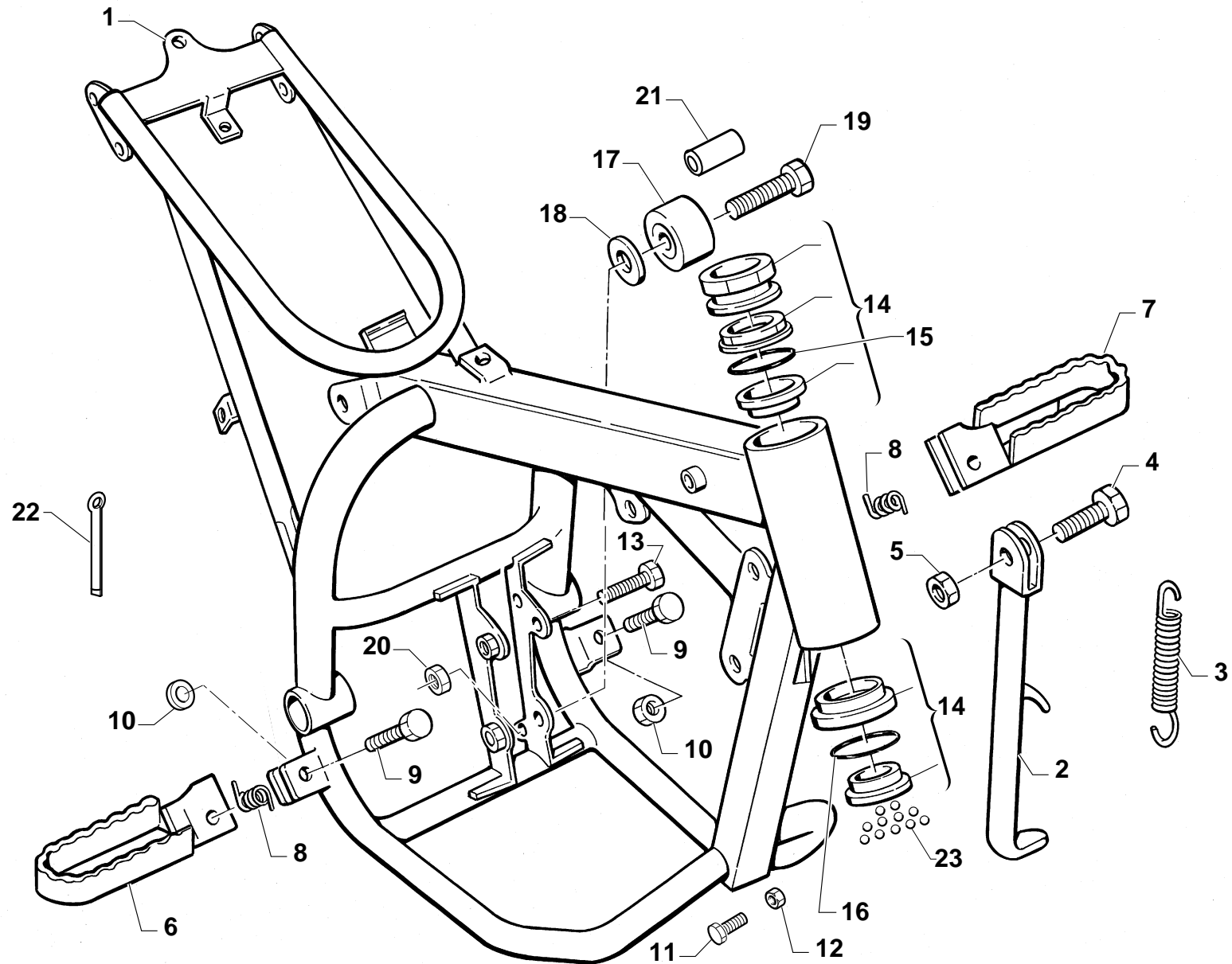
Pos. No. N. Index. Pos.	N.codice Code No. Nr. code Code Nr. N. cod.	Denominazione	Description	Désignation	Beschreibung	Descripción	Note Notes Notes Marke Notas	Q.tà Q.ty Q.te M.ge C.ad
1	EM7739.66	Cilindro + pistone	Cylinder + Piston	Cylindre + Piston	Zylinder + Kolben	Cilindro + Embolo		1
2	EM2301.82	Pistone	Piston	Piston	Kolbe	Pistón		1
3	EM2750.91	Testa	Cylinder head	Tetedu cylindre	Zylinderkopf	Cabeza		1
4	EM1310.05	Dado	Nut	Ecrou	Mutter	Tuerca		4
5	EM2540.81	Rondella	Washer	Rondelle	Scheibe	Arandela		4
6	EM2350.32	Prigioniero	Stud bolt	Prisonnier	Stiftschraube	Prisionero		4
7	EM1643.09	Guarnizione	Gasket	Garnitue	Dichtung	Junta		1
8	EM1273.36	Colonna	Stud bolt	Colonneta	Dorn	Esparrago		4
9	EM2540.01	Rondella	Washer	Rondelle	Scheibe	Arandela		8
10	EM2350.51	Prigioniero	Stud bolt	Prisonnier	Stiftschraube	Prisionero		4
11	EM1642.95	Guarnizione	Gasket	Garnitue	Dichtung	Junta		1
12	EM1070.65	Anello	Ring	Bague	Ring	Anillo		2
13	EM2610.56	Segmento	Circlip	Segment	Kolbenring	Segmento		2
14	EM2681.07	Spinotto	Gudgeon	Axe	Bolzen	Perno		1
15	EM1040.01	Seeger	Retainer	Arretoi	Sicherungsring	Anillo		2



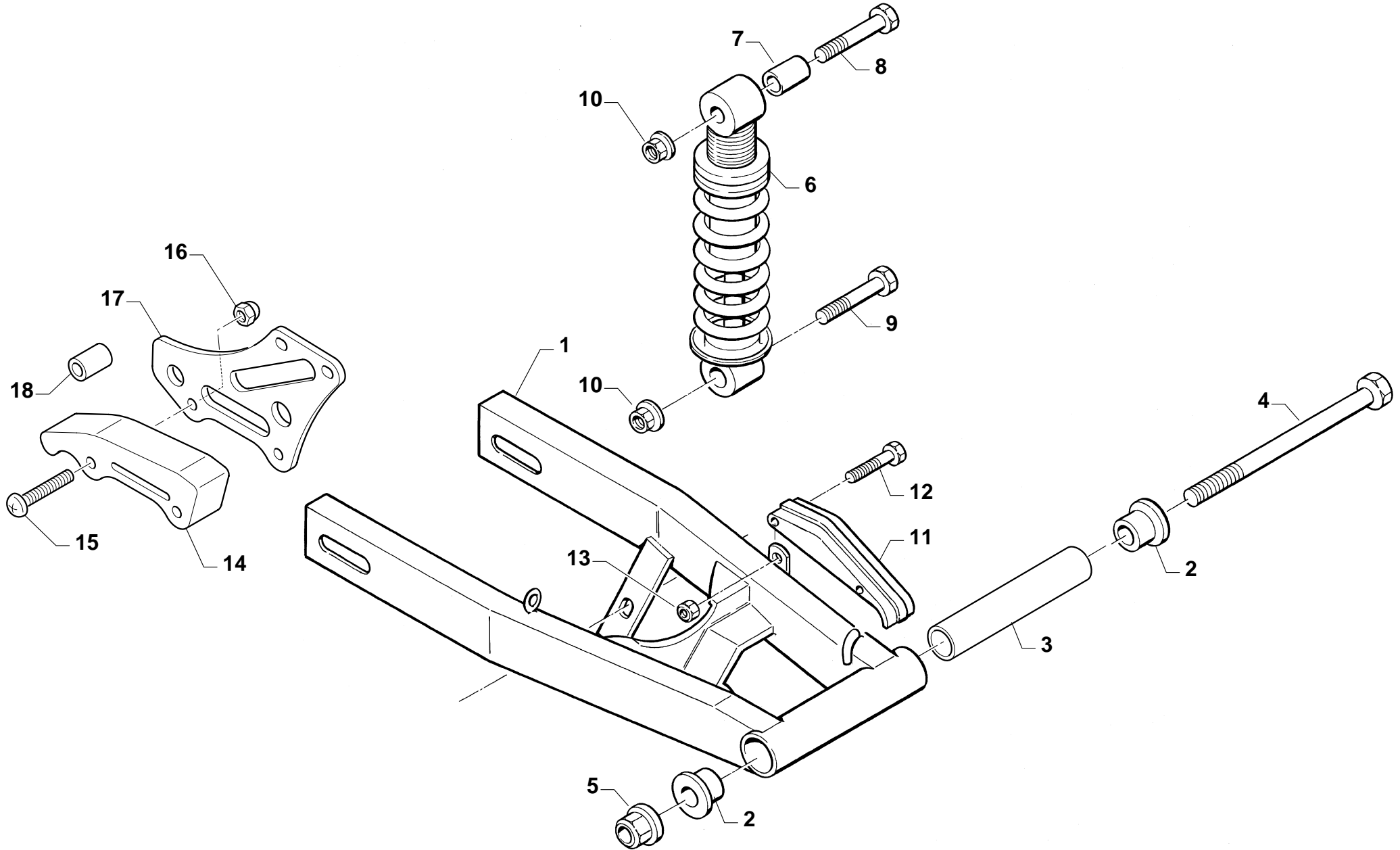
Pos. No. N. Index. Pos.	N.codice Code No. Nr. code Code Nr. N. cod.	Denominazione	Description	Désignation	Beschreibung	Descripción	Note Notes Notes Marke Notas	Q.tà Q.ty Q.te M.ge C.ad
1	XH246200	Carburatore	Carburetor	Carburateur	Vergaser	Carburador		1
2	ED09475.30.64	Valvola gas	Throttle valve	Papillon de gaz	Drosselklappe	Valvulá		1
3	ED09595.09.08	Spillo conico	Needle	Pointeau conique	Kon. Nadel	Pasador cónico		1
4	ED09654.262.28	Polverizzatore	Fuel nozzle	Pulvérisateur	Einspritzdüse	Pulverizador		1
5	ED01486.90.02	Getto massimo	Main jet	Gicleur principal	Hauptdüse	Chiclé máximo		1
6	ED01488.48.02	Getto minimo	Idle jet	Gicleur minimum	Leerlaufdüse	Chiclé mínimo		1
7	ED09501.60.02	Getto avviamento	Starting jet	Gicleur de starter	Starterdüse	Chiclé arranque		1
8	ED09450.01.80	Galleggiante	Float	Flotteur	Schwimmer	Flotador		1
9	ED09597.00.61	Molla	Spring	Ressort	Feder	Resorte		1
10	ED14958.00.21	Piastrina	Plate	Plaquette	Plättchen	Placa		1
11	ED09596.00.21	Fermo spillo conico	Needle valve stop	Arret pour épingles coniques	Kegelnadel-Sperrung	Tope espiga cónica		1
12	ED09538.00.64	Kit starter a leva	Kit for lever starter	Kit du starter à levier	Hebel-Starter-Satz	Kit starter de palanca		1
13	ED53024.00.78	Vite	Screw	Vis	Schraube	Tornillo		1
14	ED53027.00.78	Vite	Screw	Vis	Schraube	Tornillo		1
15	ED02838.00.05	Spillo	Needle	Pinteau	Nadel	Pasador		1
16	ED09506.00.22	Perno	Pin	Pivot	Bolzen	Perno		1
17	ED09444.00.96	Vaschetta	Chamber	Cuvette	Becken	Cubeta		1
18	ED11836.00.36	Vite	Screw	Vis	Schraube	Tornillo		4
19	ED09779.00.52	Fondello	Bottom	Fond	Bodenscheibe	Casquillo		1
20	ED52526.00.77	Busta guarnizioni	Gasket set	Jeu joints	Dichtungssatz	Serie juntas		1
21	ED53027.00.78	Kit tubetto filo gas	Kit of pipe-cable-throttle	Kit du tuyau cable gaz	Gasdrahtrohr-Satz	Kit tubito cable gas		1
22	ED53036.00.78	Coperchio	Cover	Couvercle	Deckel	Tapa		1
23	ED04224.00.82	Raccordo	Union	Raccord	Anschluss	Empalme		1



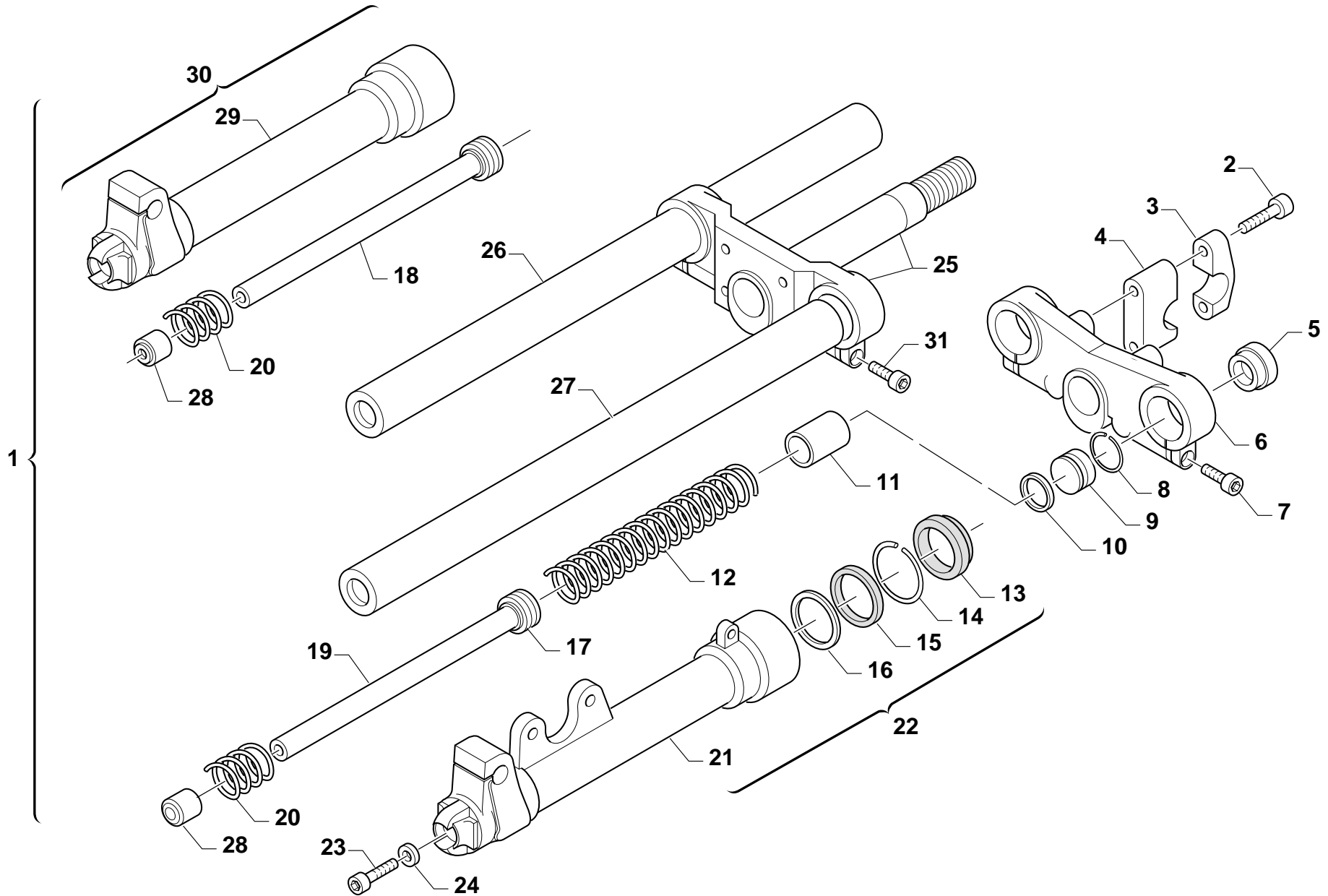
Pos. No. N. Index. Pos.	N.codice Code No. Nr. code Code Nr. N. cod.	Denominazione	Description	Désignation	Beschreibung	Descripción	Note Notes Notes Marke Notas	Q.tà Q.ty Q.te M.ge C.ad
1	XH236800	Scatola filtro	Air filter box	Boîte filtre	Filterkasten	Caja filtro aire		1
2	N1000710	Vite	Screw	Vis	Schraube	Tornillo		1
3	XH324800	Protezione	Guard	Protection	Schutz	Protección		1
4	XH236900	Filtro aspirazione	Filter	Filtre	Filter	Filtro		1
5	XH233300	Telaietto	Frame	Cadre	Cadre	Bastidor pequeño		1
6	N6002803	Dado	Nut	Ecrou	Mutter	Tuerca		2
7	N1000406	Vite	Screw	Vis	Schraube	Tornillo		2
8	EA6911	Manicotto	Sleeve	Manchon	Muffe	Manguito		1
9	N1010401	Fascetta	Clamp	Collier	Schelle	Banda		2



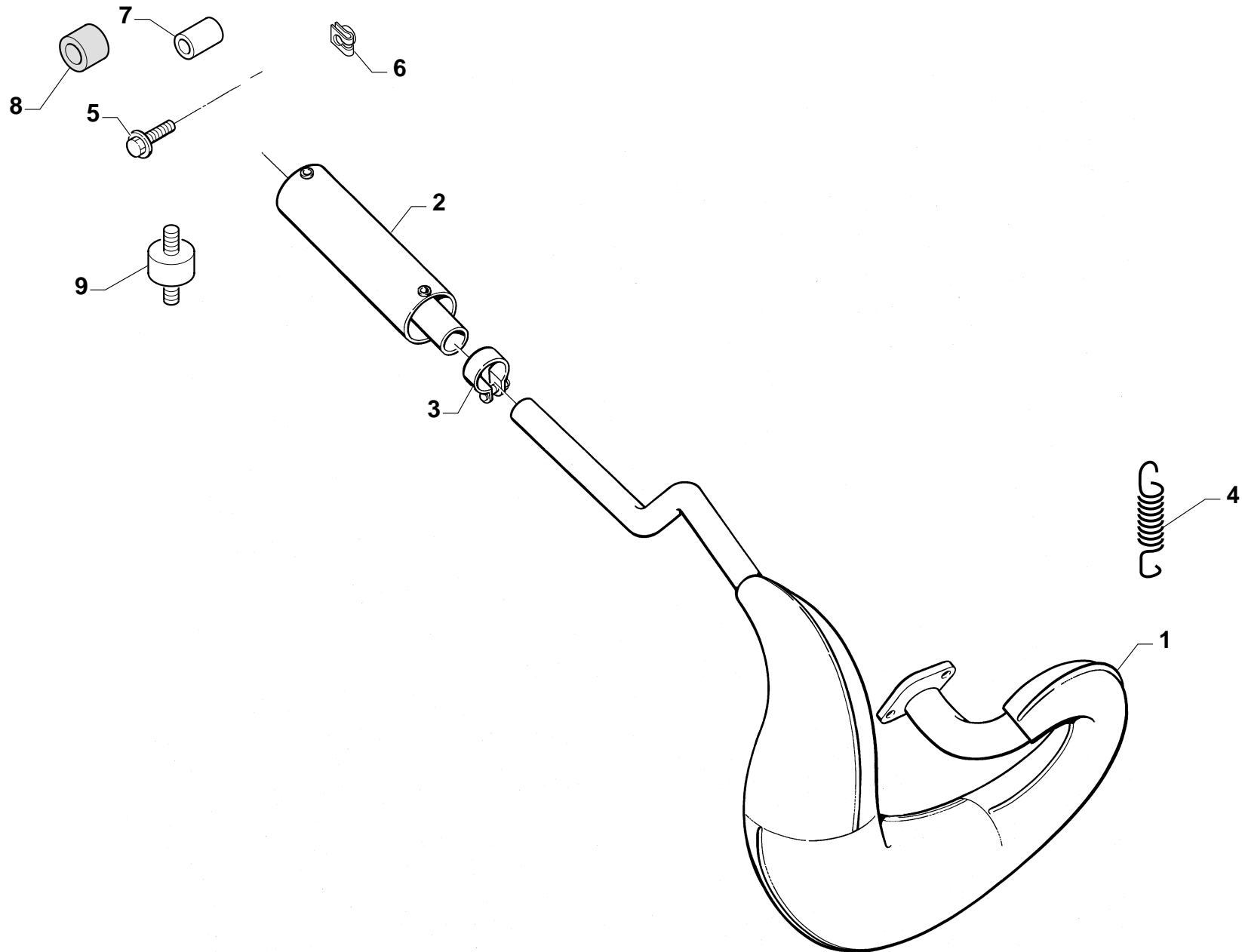
Pos. No. N. Index. Pos.	N.codice Code No. Nr. code Code Nr. N. cod.	Denominazione	Description	Désignation	Beschreibung	Descripción	Note Notes Notes Marke Notas	Q.tà Q.ty Q.te M.ge C.ad
1	XH3271A0	Telaio	Frame	Chassis	Rahmen	Bastidor		1
2	XH2371A4	Gamba lat.	Side stand	Bequille lat.	Seitenstander	Horquilla lateral		1
3	XH235000	Molla	Spring	Ressort	Feder	Resorte		1
4	N1000323	Vite	Screw	Vis	Schraube	Tornillo		1
5	N1003003	Dado	Nut	Ecrou	Mutter	Tuerca		1
6	EH8AA072564	Ass. Poggiapiedi DX	R.H foot rest	Repose pied D.	RTS. Fussraste	Prisioneros DER.		1
7	EH80A072564	Ass. poggiapiedi SX	L.H foot rest	Repose pied G.	LKS. Fussraste	Prisioneros IZQ.		1
8	EH800073341	Molla	Spring	Ressort	Feder	Resorte		2
9	EH800073140	Perno	Pin	Pivot	Bolzen	Perno		2
10	N1001522	Rosetta	Washer	Rondelle	Scheibe	Arandela		2
11	N1000335	Vite	Screw	Vis	Schraube	Tornillo		1
12	XH238917	Dado	Nut	Ecrou	Mutter	Tuerca		1
13	N1000305	Vite	Screw	Vis	Schraube	Tornillo		2
14	XH235800	Serie sterzo	Steering assy	Groupe direction	Reihe Lenker	Juego direccion		1
15	N0012001	Anello OR	Ring	Bague	Ring	Anillo		1
16	N0012007	Anello OR	Ring	Bague	Ring	Anillo		1
17	XH302600	Rullo catena	Chain roller	Aiguille	Rolle	Rodilo cadena		2
18	N1001503	Rosetta	Washer	Rondelle	Scheibe	Arandela		2
19	N1000305	Vite	Screw	Vis	Schraube	Tornillo		2
20	N1003003	Dado	Nut	Ecrou	Mutter	Tuerca		2
21	XH207911	Distanziale	Spacer	Entretoise	Distanzstück	Separador		2
22	N1012803	Copiglia	Split pin	Goupille	Splint	Clavija		2
23	N0016003	Sfera	Ball	Bille	Kugel	Esfera		26



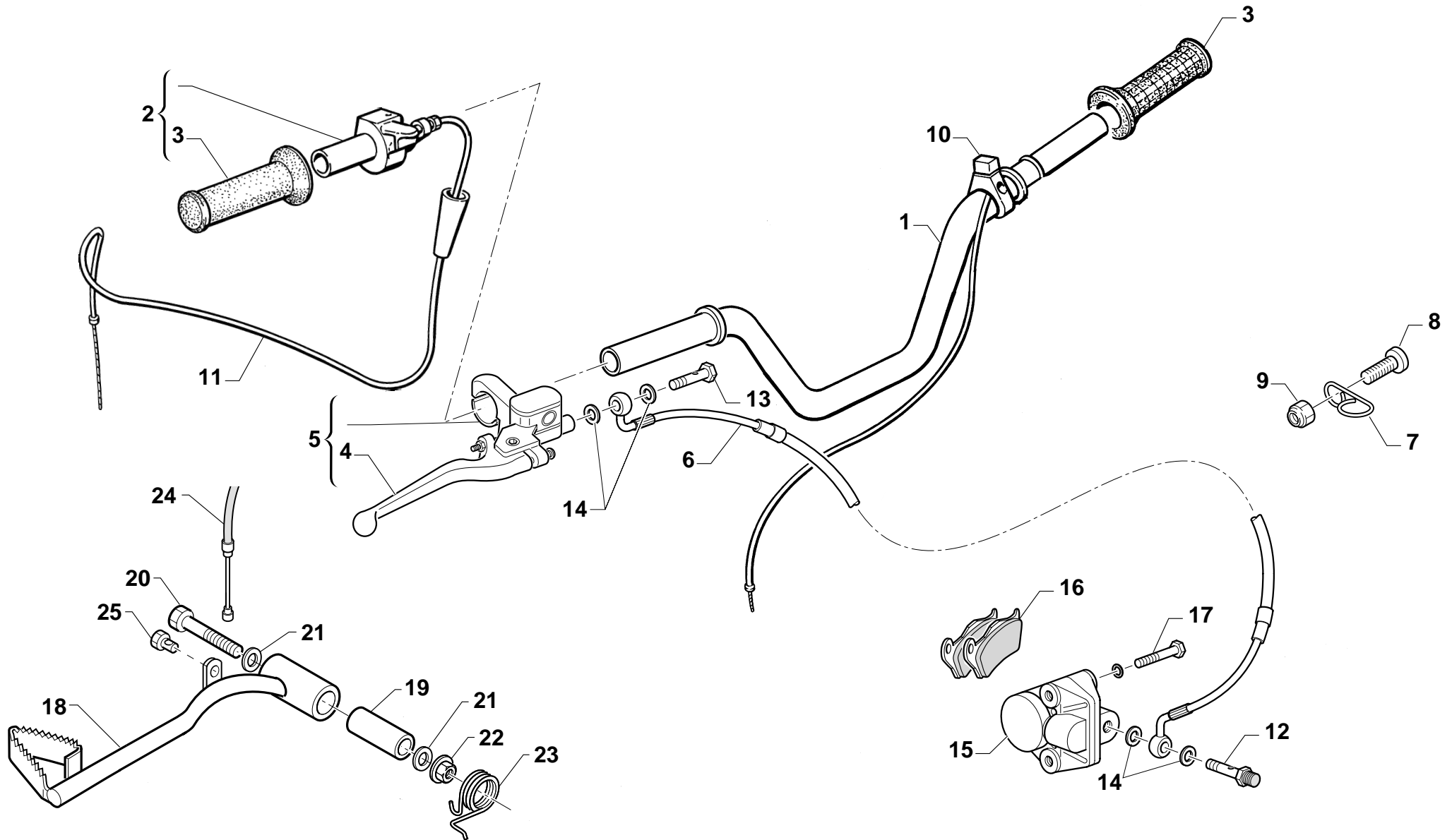
Pos. No. N. Index. Pos.	N.codice Code No. Nr. code Code Nr. N. cod.	Denominazione	Description	Désignation	Beschreibung	Descripción	Note Notes Notes Marke Notas	Q.tà Q.ty Q.te M.ge C.ad
1	XH3270A0	Forcellone	fork	Fourche	Gabel	Horquilla		1
2	XH232401	Boccola	Bush	Douille	Buchse	Casquillo		2
3	XH326400	Distanziale	Spacer	Entretoise	Distanzstück	Separador		1
4	N1000345	Vite	Screw	Vis	Schraube	Tornillo		1
5	N1002504	Dado	Nut	Ecrou	Mutter	Tuerca		1
6	XH304100	Ammortizzatore	Shock-absorber	Ammortisseur	Stossdämpfer	Amortiguador		1
7	XH238918	Distanziale	Spacer	Entretoise	Distanzstück	Separador		1
8	N1000308	Vite	Screw	Vis	Schraube	Tornillo		1
9	N1000317	Vite	Screw	Vis	Schraube	Tornillo		1
10	N1002504	Dado	Nut	Ecrou	Mutter	Tuerca		2
11	XH235601	Pattino catena	Chain slider	Glissière	Gleitbahn	Plato cadena		1
12	N1000322	Vite	Screw	Vis	Schraube	Tornillo		1
13	N1003006	Dado	Nut	Ecrou	Mutter	Tuerca		1
14	XH313400	Gomma guida catena	Chain slide	Galet chaine	Kettenrolle	Rodillo cadena		1
15	N1000905	Vite	Screw	Vis	Schraube	Tornillo		4
16	N1003001	Dado	Nut	Ecrou	Mutter	Tuerca		4
17	XH312600	Piastra	Plate	Plaque	Platte	Placa		2
18	XH207912	Distanziale	Spacer	Entretoise	Distanzstück	Separador		2



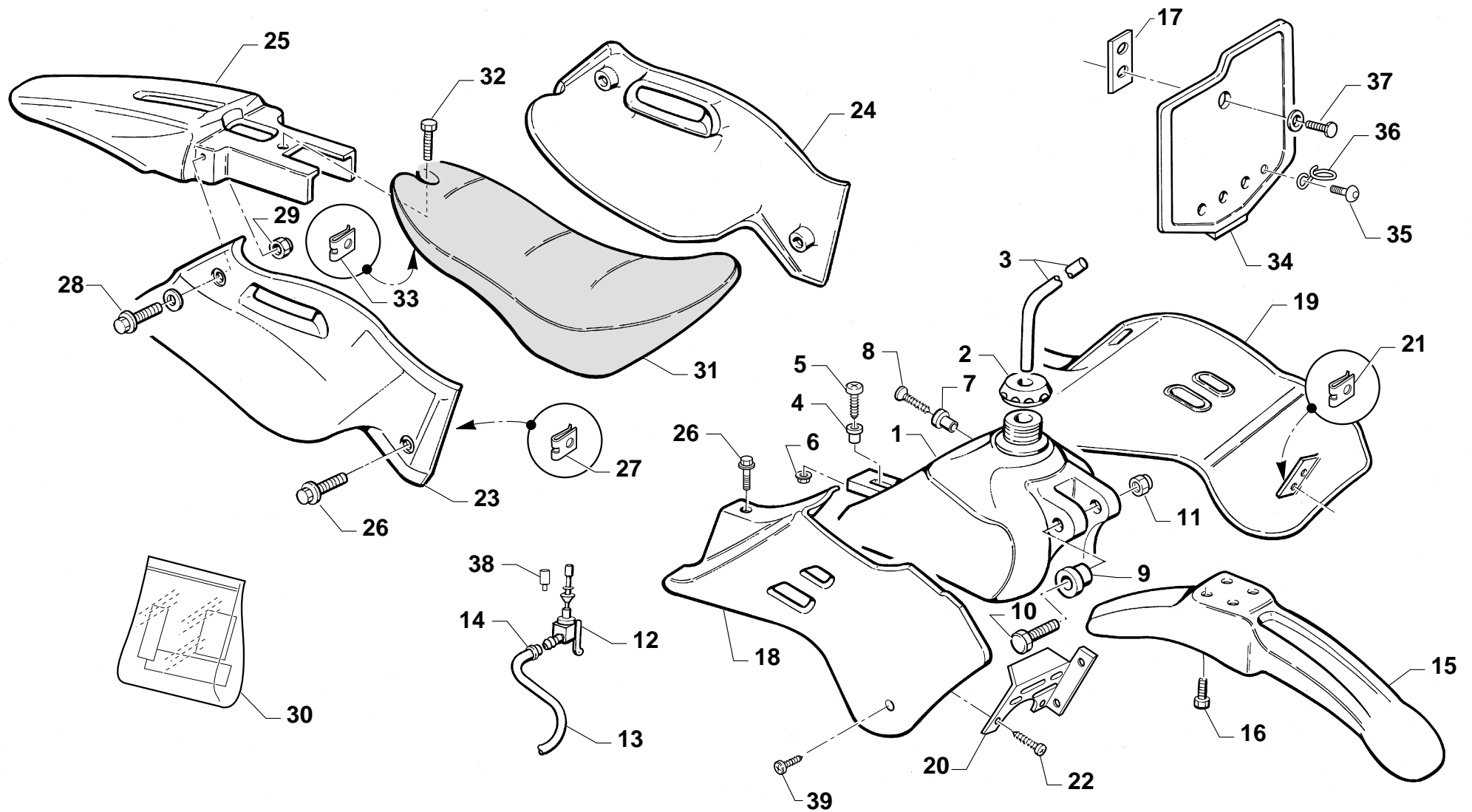
Pos. No. N. Index. Pos.	N.codice Code No. Nr. code Code Nr. N. cod.	Denominazione	Description	Désignation	Beschreibung	Descripción	Note Notes Notes Marke Notas	Q.tà Q.ty Q.te M.ge C.ad
1	XH320400	Ass. sospensione ant.	Front-weel susp.	Suspension av.	Vorderachsaufängung	Suspensió del.		1
2	ER520043AR	Vite	Screw	Vis	Schraube	Tornillo		4
3	ER505034A	Morsetto	Clamp	Etau	Klemme	Abrazadera		2
4	ER505033A	Base	Base	Socle	Lager	Base		2
5	ER532774	Tappo	Plug	Bouchon	Verschluss	Tapón		2
6	ER501443A	Testa	Cylinder head	Tetedu cylindre	Zylinderkopf	Cabeza		1
7	ER520001AR	Vite	Screw	Vis	Schraube	Tornillo		2
8	ER523277	Anello	Ring	Bague	Ring	Anillo		2
9	ER504148B	Tappo	Plug	Bouchon	Verschluss	Tapón		2
10	ER528084	Anello OR	Ring	Bague	Ring	Anillo		2
11	ER5181215	Tubetto	Pipe	Tuyau	Rohr	Tube		2
12	ER5141214	Molla	Spring	Ressort	Feder	Resorte		2
13	ER533297	Raschiapolvere	Dust scraper	Racloir poudre	Pulverabschaber	Rascador de polvo		2
14	ER523264	Anello	Ring	Bague	Ring	Anillo		2
15	ER528230A	Anello	Ring	Bague	Ring	Anillo		2
16	ER522226AA	Rondella	Washer	Rondelle	Scheibe	Arandela		2
17	ER524157	Segmento	Circlip	Segment	Kolbenring	Segmento		1
18	ER803932	Pompante DX	R.H. pumping element	Element de pompage D.	Pumpenelement, R.	Bombeadora compl. derch.		1
19	ER803934	Pompante SX	L.H. pumping element	Element de pompage D.	Pumpenelement, L.	Bombeadora completa izqda.		1
20	ER5141015	Contromolla	Return spring	Ressort de rappel	Gegenfeder	Resorte antagonista		2
21	ER5031656A	Gamba SX	L.H. stem	Tige gauche	Linker Schaft	Vaeilla IZQ.		1
22	ER5031656A/R	Gamba SX compl.	L.H. fork leg assy	Fourche complete G.	Telegabel Kpl. L.	Horquilla izq. compl.		1
23	ER520001AR	Vite	Screw	Vis	Schraube	Tornillo		2
24	ER522225	Rondella	Washer	Rondelle	Scheibe	Arandela		2
25	ER7051087A	Base di sterzo con perno	Steering crown with pin	Socle de direction avec pivot	Gabelbrücke mit Bolzen	Base de dirección con perno		1
26	ER708230R	Tubo	Pipe	Tuyau	Rohr	Tube		1
27	ER708231R	Tubo	Pipe	Tuyau	Rohr	Tube		1
28	ER512068	Tampone	Pad	Tampon	Stopfen	Tampón		2
29	ER5031595A	Gamba DX	R.H. stem	Tige D.	Rechter Schaft	Vaeilla der.		1
30	ER5031595A/R	Gamba DX compl.	R.H. fork leg assy	Fourche complete D.	Telegabel Kpl. R.	Horquilla derech. compl.		1
31	ER520048AR	Vite	Screw	Vis	Schraube	Tornillo		4



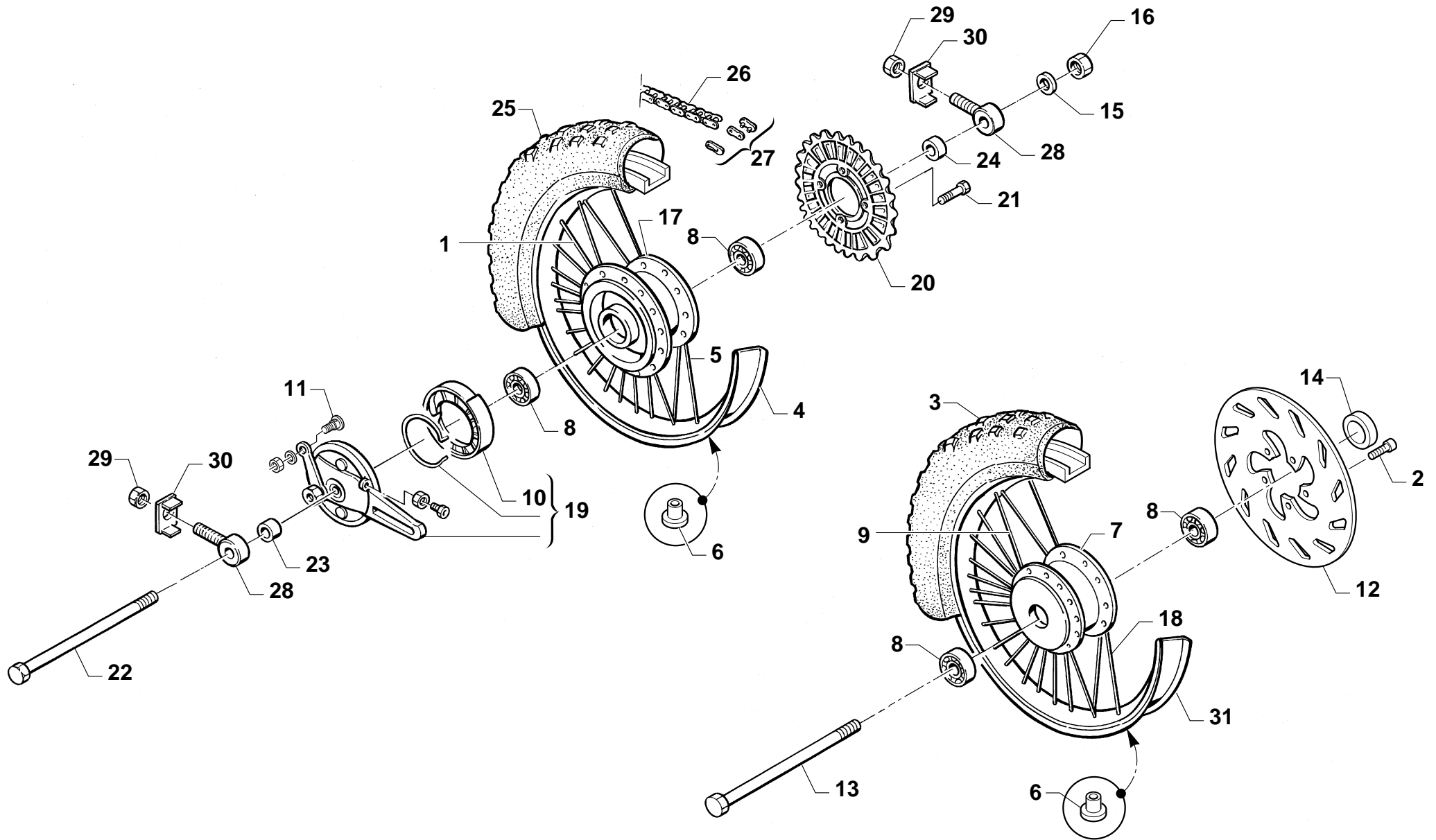
Pos. No. N. Index. Pos.	N.codice Code No. Nr. code Code Nr. N. cod.	Denominazione	Description	Désignation	Beschreibung	Descripción	Note Notes Notes Marke Notas	Q.tà Q.ty Q.te M.ge C.ad
1	XH3245A0	Tubo	Pipe	Tuyau	Rohr	Tubo		1
2	XH304500	Silenziatore	Silencer	Silencieux	Schalldämpfer	Silenciador		1
3	EA6975	Gommino	Rubber pad	Pièce caoutchouc	Gummistück	Junta de goma		1
4	XH301600	Molla	Spring	Ressort	Feder	Resorte		2
5	N1000107	Vite	Screw	Vis	Schraube	Tornillo		1
6	N6002802	Dado	Nut	Ecrou	Mutter	Tuerca		1
7	XH236709	Distanziale	Spacer	Entretoise	Distanzstück	Separador		2
8	N0011302	Gommino	Rubber pad	Pièce caoutchouc	Gummistück	Junta de goma		2
9	N0017602	Antivibrante	Silent-block	Antivibration	Schwingungsdämpfer	Anti-vibrador		2



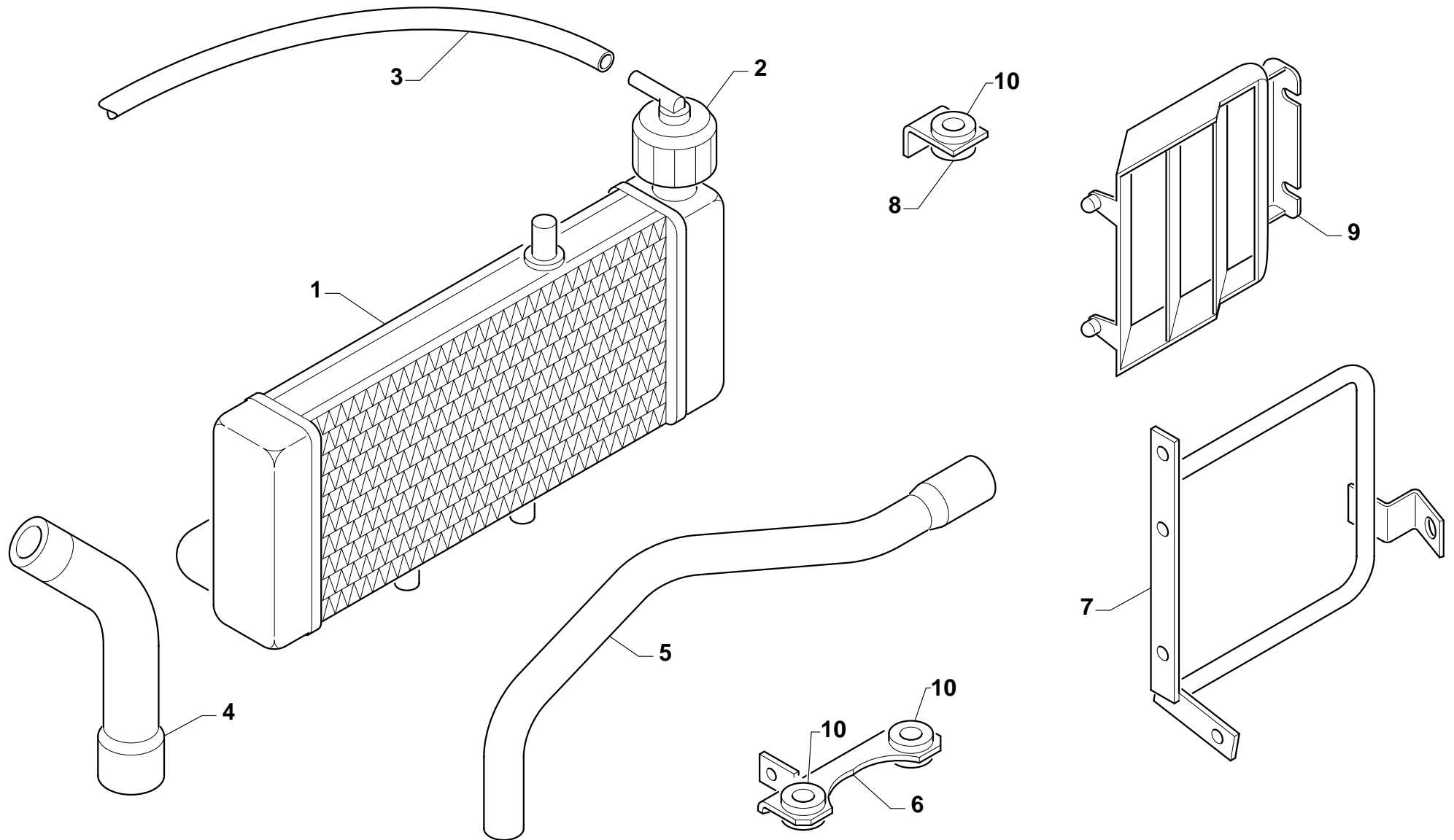
Pos. No. N. Index. Pos.	N.codice Code No. Nr. code Code Nr. N. cod.	Denominazione	Description	Désignation	Beschreibung	Descripción	Note Notes Notes Marke Notas	Q.tà Q.ty Q.te M.ge C.ad
1	XH2460A0	Manubrio	Hanblebar	Guidon	Lenker	Manillar		1
2	XH218500	Comando gas compl.	Throttle control assy	Commande gaz compl.	Gasgriff kpl.	Accionam. acelerador com.		1
3	XH244900	Coppia manopole	Grip pair	Couple poignées	Griffpaar	Pareja manoplas		1
4	EJ134.75.900C	Leva freno ant.	Front. brake lever	Levier frein avant	Vorderer Bremshebel	Palanca freno delantero		1
5	EJ11600.820C	Comando freno ant.	Front brake control	Commande frein av.	Bremshebel Vorderradbr.	Mano freno ant.		1
6	XH324200	Tubo freno ant.	Trasmiss. front brake	Trasmission frein av.	Bremsseil Vorderradbr	Trasmis. fr. del.		1
7	XH245601	Anello	Ring	Bague	Ring	Anillo		1
8	N1000902	Vite	Screw	Vis	Schraube	Tornillo		1
9	N1002505	Dado	Nut	Ecrou	Mutter	Tuerca		2
10	XH244800	Pulsante	Push	Pulsant	Druckknopf	Pulsador		1
11	XH224001	Trasmissione comando gas	Gas control trasmiss	Trasmiss. comm. gaz	Gaszug	Trasmis.m. gas		1
12	EJ190.00.001C	Vite	Screw	Vis	Schraube	Tornillo		1
13	EJ190.99.060	Vite	Screw	Vis	Schraube	Tornillo		1
14	EJ190.99.095	Rosetta	Washer	Rondelle	Scheibe	Arandela		4
15	XH323000	Pinza	Pliers	Pinces	Zange	Pinza		1
16	EJ290.99.087	Pastiglie	Pads	Plaquettes	Bremsbelafpaar	Pastillas		2
17	N1000714	Vite	Screw	Vis	Schraube	Tornillo		2
18	XH3046A0	Pedale freno	Brake pedal	Pedale	Fusshebel	Pedal		1
19	XH244400	Bussola	Bushing	Douille	Buchse	Manguito		1
20	N1000319	Vite	Screw	Vis	Schraube	Tornillo		1
21	N1001503	Rosetta	Washer	Rondelle	Scheibe	Arandela		2
22	N1002501	Dado	Nut	Ecrou	Mutter	Tuerca		1
23	XH305500	Molla	Spring	Ressort	Feder	Resorte		1
24	XH225202	Trasmissione freno	Pipe	Tuyau	Rohr	Tubo		1
25	N0011003	Nottolino	Pawl	Cliquet	Klinke	Pestillo		1



Pos. No. N. Index. Pos.	N.codice Code No. Nr. code Code Nr. N. cod.	Denominazione	Description	Désignation	Beschreibung	Descripción	Note Notes Notes Marke Notas	Q.tà Q.ty Q.te M.ge C.ad
1	XH222400	Serbatoio	Tank	Reservoir	Tank	Deposito de petroleo		1
2	XH222500	Tappo	Plug	Bouchon	Verschluss	Tapón		1
3	N0011501	Tubo sfiato	Pipe	Tuyau	Rohr	Tubo		1
4	XH236701	Bussola	Bushing	Douille	Buchse	Manguito		1
5	N1000302	Vite	Screw	Vis	Schraube	Tornillo		1
6	N6002802	Dado	Nut	Ecrou	Mutter	Tuerca		1
7	XH223900	Distanziale	Spacer	Entretoise	Distanzstück	Separador		1
8	N1000103	Vite	Screw	Vis	Schraube	Tornillo		1
9	XH236700	Bussola	Bushing	Douille	Buchse	Manguito		2
10	N1000204	Vite	Screw	Vis	Schraube	Tornillo		1
11	N1003001	Dado	Nut	Ecrou	Mutter	Tuerca		1
12	XH222800	Rubinetto	Stopcock	Robinnet	Hahn	Llave de paso gasolina		1
13	N0011505	Tubo	Pipe	Tuyau	Rohr	Tubo		1
14	N3010001	Fascetta	Clamp	Collier	Schelle	Banda		2
15	XH2208A0	Parafango	Mudguard	Aile	Kotfluegel	Guardabarros		1
16	N1000705	Vite	Screw	Vis	Schraube	Tornillo		4
17	XH209402	Piastrina	Plate	Plaquette	Plättchen	Placa		1
18	XH2882A0	Pannelo DX	Right hand panel	Panneau droit	Rechts verkleidung	Panel derecho		1
19	XH2883A0	Pannelo SX	Left hand panel	Panneau gauche	Links verkleidung	Panel izquierdo		1
20	XH275400	Griglia	Grille	Grille	Gitter	Parilla		1
21	N6002801	Dado	Nut	Ecrou	Mutter	Tuerca		4
22	N1000401	Vite	Screw	Vis	Schraube	Tornillo		4
23	XH2430A0	Fianchetto	Side panel	Tablier	Seitenblech	Costado		1
24	XH2429A0	Fianchetto	Side panel	Tablier	Seitenblech	Costado		1
25	XH310200	Parafango	Mudguard	Aile	Kotfluegel	Guardabarros		1
26	N1000710	Vite	Screw	Vis	Schraube	Tornillo		2
27	N6002802	Dado	Nut	Ecrou	Mutter	Tuerca		2
28	N1000714	Vite	Screw	Vis	Schraube	Tornillo		2
29	N1002502	Dado	Nut	Ecrou	Mutter	Tuerca		2
30	XH328400	Kit decal	Tranfer kit	Kit autoccolant	Satz Abziehbilder	Kit decalco	508	1
30	XH331000	Kit decal	Tranfer kit	Kit autoccolant	Satz Abziehbilder	Kit decalco	509	1
31	XH3123A0	Sella	Seat	Siège	Sattel	Sillín		1
32	N1000709	Vite	Screw	Vis	Schraube	Tornillo		1
33	N6002802	Dado	Nut	Ecrou	Mutter	Tuerca		1
34	XH2209B0	Portanumero	Num. holder	Porte num.	Nummerhalter	Portanumero		1
35	N1000901	Vite	Screw	Vis	Schraube	Tornillo		1
36	XH245600	Anello	Ring	Bague	Ring	Anillo		1
37	N1000718	Vite	Screw	Vis	Schraube	Tornillo		1
38	XH275600	Prolunga	Extention	Verlaengerung	Prolonge	Extensión		1
39	N1000906	Vite	Screw	Vis	Schraube	Tornillo	509	2



Pos. No. N. Index. Pos.	N.codice Code No. Nr. code Code Nr. N. cod.	Denominazione	Description	Désignation	Beschreibung	Descripción	Note Notes Notes Marke Notas	Q.tà Q.ty Q.te M.ge C.ad
1	N2007903	Raggio DX	R.H. spoke	Bras D	Speiche R	Radio DER	509	14
1	N2007916	Raggio DX	R.H. spoke	Bras D	Speiche R	Radio DER	508	14
2	N1000207	Vite	Screw	Vis	Schraube	Tornillo		5
3	N0005510	Pneumatico ant.	Tyre	Pneu	Reifen	Neumático		1
4	NL004503	Cerchio	Rim	Jante	Felge	Llanta	508	1
4	NL004801	Cerchio	Rim	Jante	Felge	Llanta	509	1
5	N2007904	Raggio SX	L.H. spoke	Bras G	Speiche L	Radio IZQ	509	14
5	N2007915	Raggio SX	L.H. spoke	Bras G	Speiche L	Radio IZQ	508	14
6	N2007502	Nipple	Nipple	Nipple	Nippel	Nipple		56
7	XH243300	Mozzo	Hub	Moyeau	Radnabe	Cubo		1
8	N0003502	Cuscinetto	Bearing	Roulement	Lager	Cojinete		4
9	N2007914	Raggio DX	R.H. spoke	Bras D	Speiche R	Radio DER		14
10	XH295500	Assieme ceppi	Complete brake bloks	Sabots de frein complets	Komplete Bremsbacke	Mordaza compl.		1
11	EI.MT.03570501	Vite	Screw	Vis	Schraube	Tornillo		1
12	XH323300	Disco freno Ant.	Brake disc	Disque frein	Bremsscheibe	Tornillo freno		1
13	XH286700	Perno	Pin	Pivot	Bolzen	Perno		1
14	XH238901	Distanziale	Spacer	Entretoise	Distanzstück	Separador		1
15	N1001514	Rosetta	Washer	Rondelle	Scheibe	Arandela		1
16	N1002602	Dado	Nut	Ecrou	Mutter	Tuerca		1
17	XH318400	Mozzo	Hub	Moyeau	Radnabe	Cubo		1
18	N2007913	Raggio SX	L.H. spoke	Bras G	Speiche L	Radio IZQ		14
19	XH295600	Coperchio	Cover	Couvercle	Deckel	Tapa		1
20	XH288706	Corona	Ring gear	Couronne	Kranz	Corona		1
21	EI.CO.03550600	Vite	Screw	Vis	Schraube	Tornillo		5
22	XH239004	Perno	Pin	Pivot	Bolzen	Perno		1
23	XH238905	Distanziale	Spacer	Entretoise	Distanzstück	Separador		1
24	XH238920	Distanziale	Spacer	Entretoise	Distanzstück	Separador		1
25	N0005509	Pneumatico post.	Reae tyre	Pneu	Reifen	Neumático		1
26	N0009009	Catena	Chain	Chaîne	Kette	Cadena		1
27	N0009106	Giunto	Coupling	Joint	Kupplung	Junta		1
28	XH232500	Tendicatena	Chain adjuster	Tendeur de chaine	Kettenspanner	Tensor de cadena		2
29	N1003003	Dado	Nut	Ecrou	Mutter	Tuerca		2
30	XH232600	Piastrina	Plate	Plaquette	Plättchen	Placa		2
31	NL004603	Cerchio	Rim	Jante	Felge	Llanta	508	1
31	NL004901	Cerchio	Rim	Jante	Felge	Llanta	509	1



Pos. No. N. Index. Pos.	N.codice Code No. Nr. code Code Nr. N. cod.	Denominazione	Description	Désignation	Beschreibung	Descripción	Note Notes Notes Marke Notas	Q.tà Q.ty Q.te M.ge C.ad
1	XH285300	Radiatore	Radiator	Radiateur	Kuehler	Radiator		1
2	TP50806	Tappo radiatore	Plug	Bouchon	Verschluss	Tapón		1
3	N0011507	Tubo sfiato	Pipe	Tuyau	Rohr	Tubo		1
4	XH306800	Tubo testa/radiatore	Pipe	Tuyau	Rohr	Tubo		1
5	XH306900	Tubo radiatore/pompa	Pipe	Tuyau	Rohr	Tubo		1
6	XH299800	Piastrina inferiore	Plate down	Plaquette	Plättchen	Placa		1
7	XH3073A0	Coppia telaietto	Mast	Chassis	Mast	Bastidor		1
8	XH312200	Piastrina	Plate	Plaquette	Plättchen	Placa		1
9	XH304900	Griglia DX-SX	R.H.-L.H.grille	Grille D-G	Gitter R-L	Parilla DER-IZQ		2
10	N0011301	Gommino	Rubber pad	Pièce caoutchouc	Gummistück	Junta de goma		3